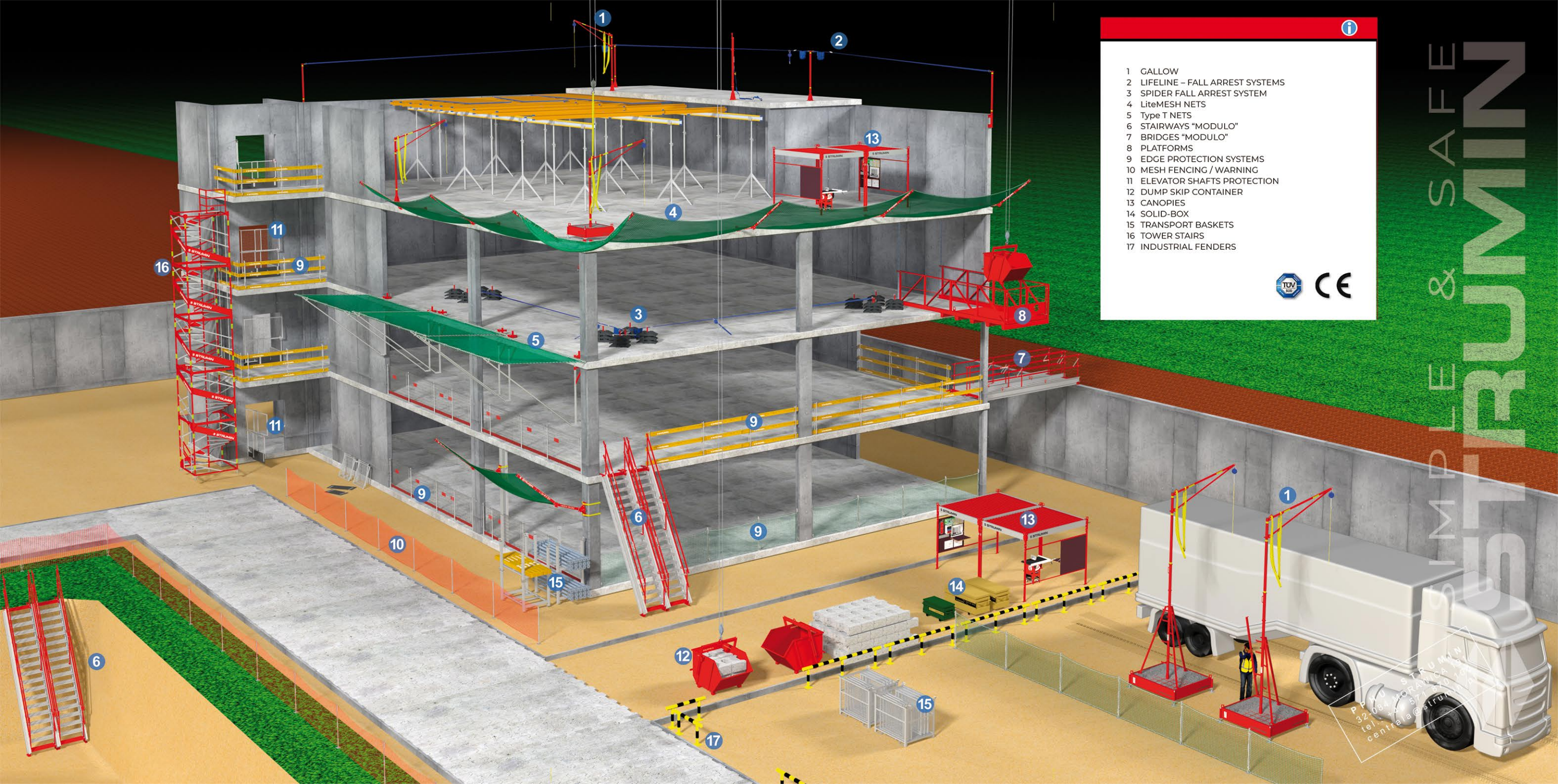




STRUMMIN







- 1 GALLOW
- 2 LIFELINE - FALL ARREST SYSTEMS
- 3 SPIDER FALL ARREST SYSTEM
- 4 LiteMESH NETS
- 5 Type T NETS
- 6 STAIRWAYS "MODULO"
- 7 BRIDGES "MODULO"
- 8 PLATFORMS
- 9 EDGE PROTECTION SYSTEMS
- 10 MESH FENCING / WARNING
- 11 ELEVATOR SHAFTS PROTECTION
- 12 DUMP SKIP CONTAINER
- 13 CANOPIES
- 14 SOLID-BOX
- 15 TRANSPORT BASKETS
- 16 TOWER STAIRS
- 17 INDUSTRIAL FENDERS



IMP & SAFEE
STRUMAN
P.P. 32.034 MORAVCA
tel. +371 571 510 100
centrala@struim



SAFETY AND INNOVATION

Innovativeness, focus on safety and professionalism – these are what you get when you choose to cooperate with us. STRUMIN products are characterized by advanced technologies, reliable design and ease of transport. They comply with the most stringent safety norms. We are constantly facing new engineering challenges in terms of design, production and installation. We never stop testing new solutions and implement innovations in production.

TUV CERTIFICATION, WELDING CERTIFICATES

We hold TÜV Rheinland Polska safety and quality certificates and certificates concerning welding standards. All construction and steel elements that we manufacture meet European standards.



STRUMIN

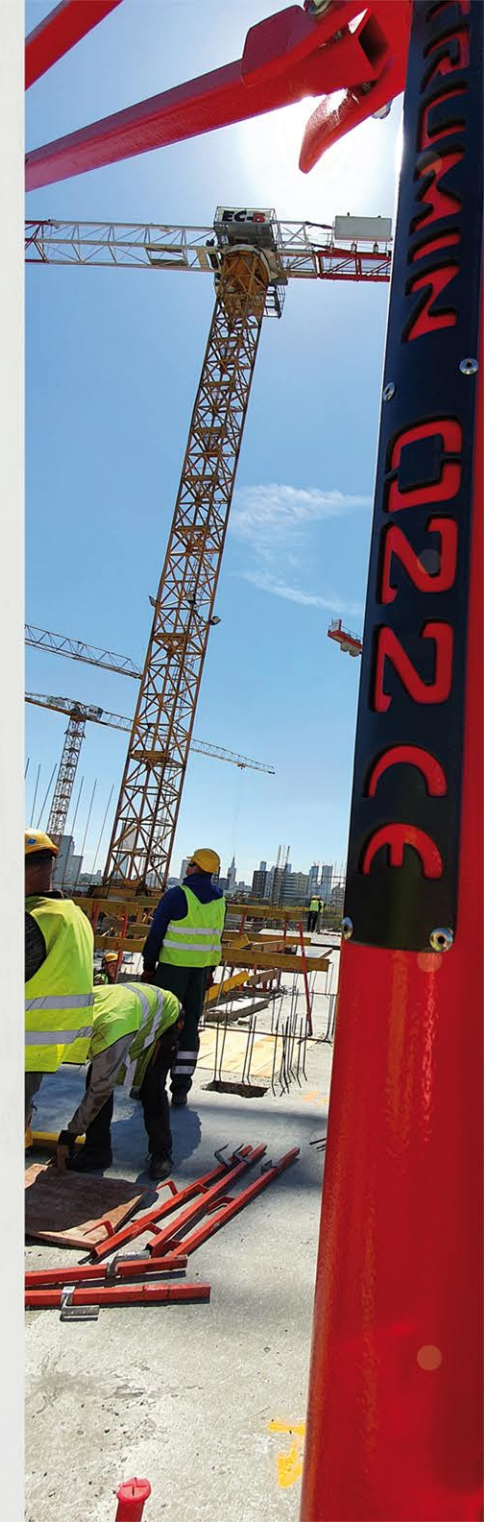
An expert in the area of safety devices for the construction industry and steel constructions. We are the biggest manufacturer of unloading platforms in Poland. For many years, we have successfully conducted hundreds of demanding investment projects for the biggest construction companies both in Poland and Europe. Our goal is to provide safe and simple solutions for construction industry in accordance with our main idea – SIMPLE & SAFE.

EXPERIENCE AND PROFESSIONALISM

We are a modern company with many years of experience in steel processing. We design, prototype and manufacture devices in our machinery park near Kraków, Poland. We treat every single project individually – a trained team of our technical and sales advisors is ready to help you at all stages of the project. Our design and manufacturing team consists of highly qualified designers, constructors, welders and assemblers. They guarantee the highest technical parameters of our products.

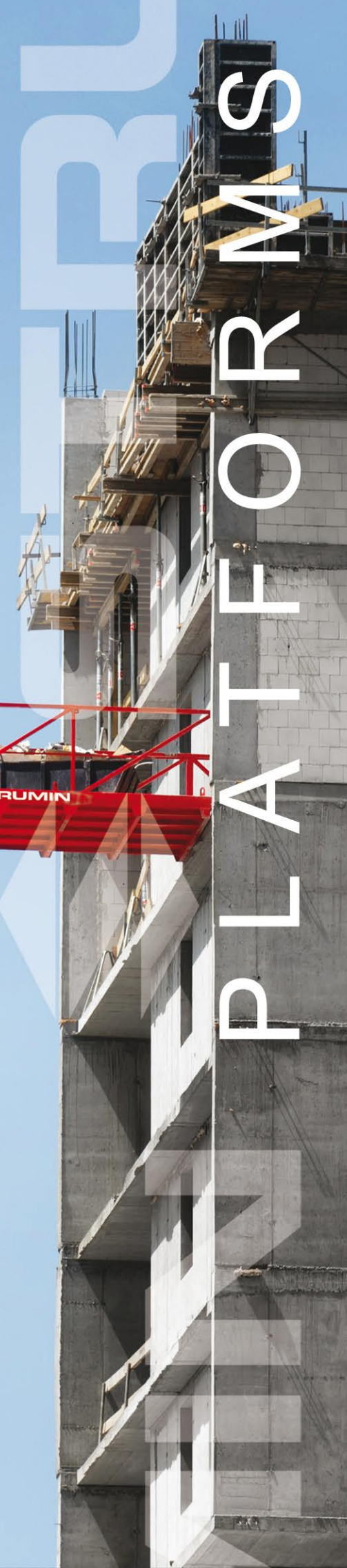
SIMPLE & SAFE
STRUMIN

PPHU STRUMIN
32-084 MORAWICA 191
tel.: +48 571 870 100
centrala@strumin.pl





PLATTFORMS



PLATFORMS

information



An unloading platform is used to transport materials and equipment to the construction site. It allows to quickly load/unload materials between a construction site and any storey. An outrigger platform is an ideal addition to a crane. The size and carrying capacity allow to place on it materials, containers, moguls and different devices used at construction sites. The mounting of the platform takes only few minutes and allows to save time both while changing its location and transporting materials.

advantages



- quick installation
- carrying capacity of 4 tonnes
- visibility
- universality
- cost-effectiveness
- mobility
- meets safety norms
- certified



STRUMIN
SIMPLE & SAFE

32-084 MORAWICA 191
tel.: +48 571 870 100
centrala@strumin.pl



Carrying capacity of 4 tonnes, the platform's floor at the same level as the ceiling ensures ergonomics.



Accessories for cranes.





properties



Platform at the same level as the floor



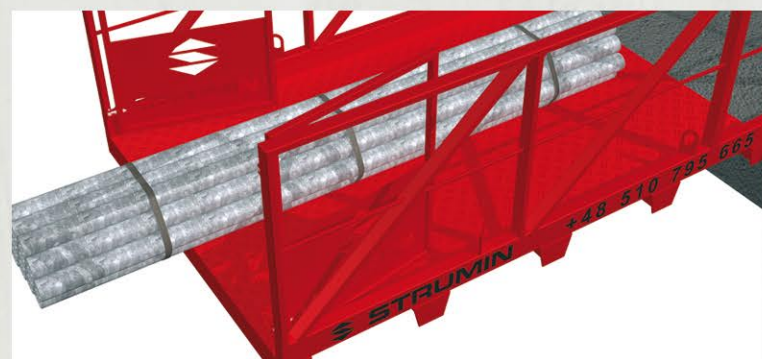
anchoring points for PPE



Fixing of the crane's sling.

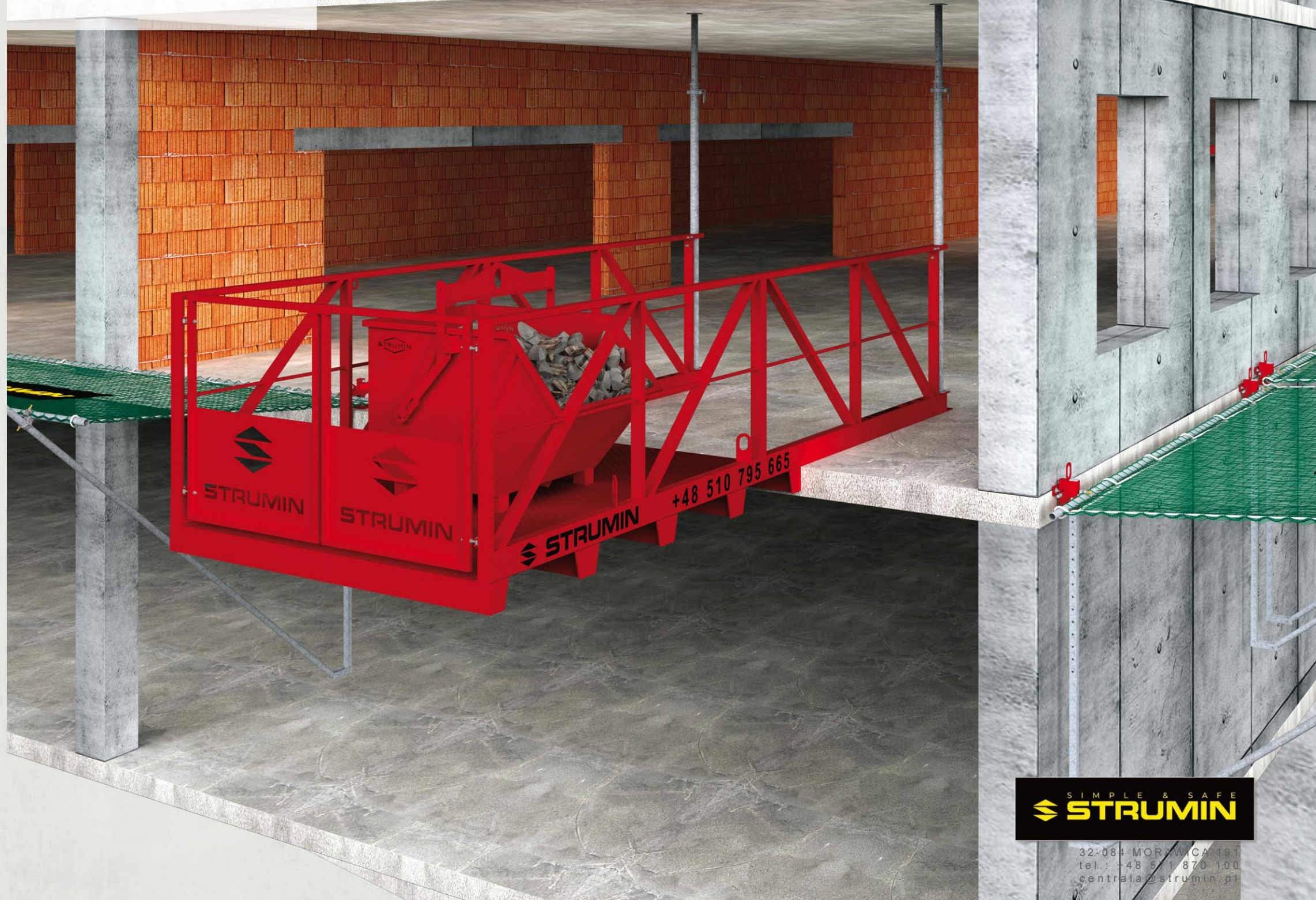


Anti-slip floor.



Gate/opening front part.
Possibility to transport long elements.

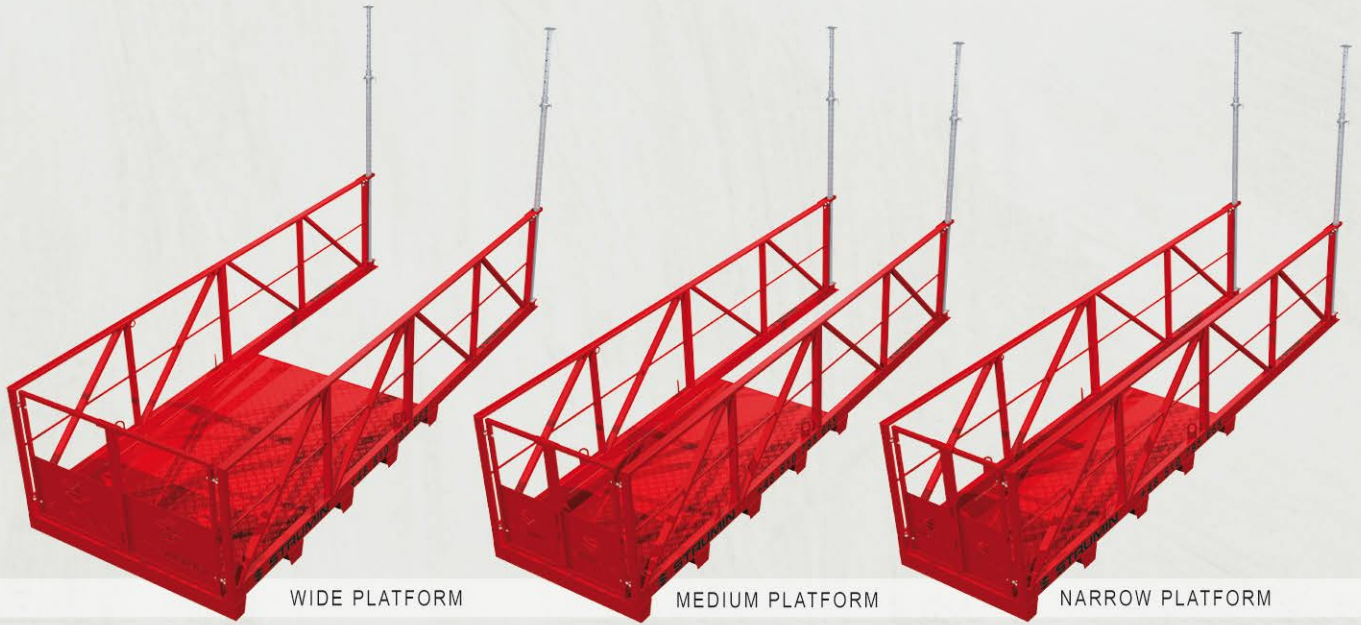
- three different sizes available
- maximum carrying capacity of 4 tonnes
- two stamps used for installation
- platform at the same level as the floor
- opening front part
- possibility to transport long elements
- anti-slip floor
- anchoring points for PPE
- railing with toe board
- compliance with EU standards



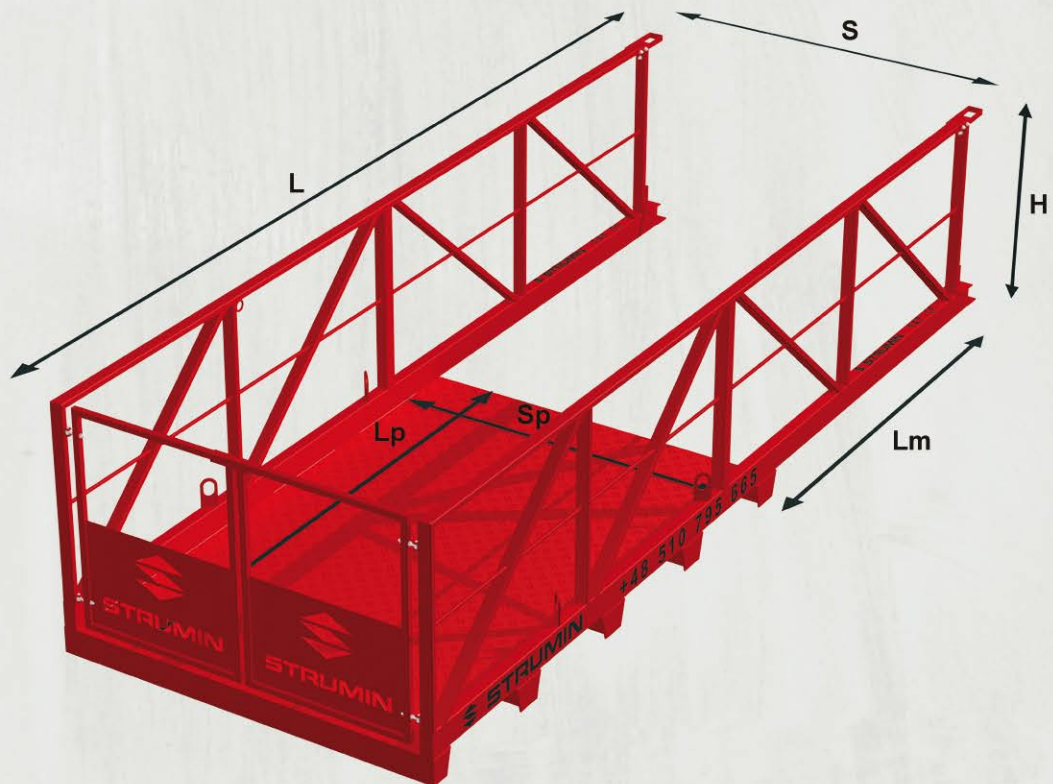
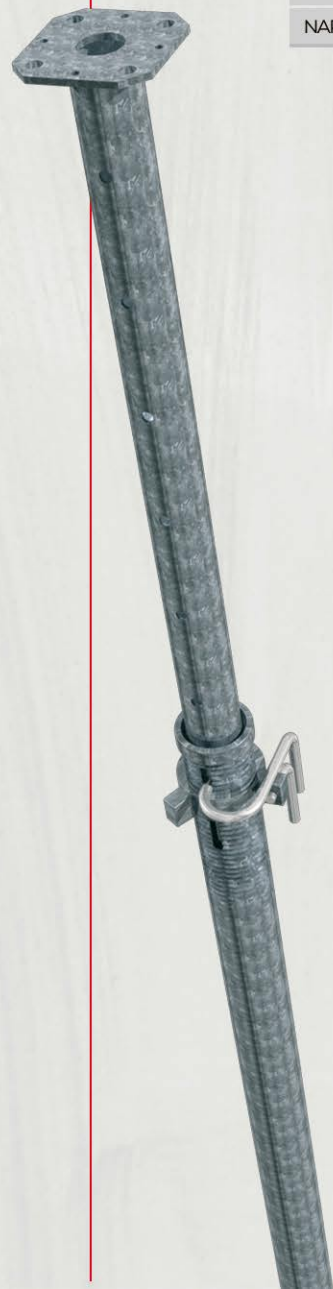
32-084 MORAVICA 191
tel.: +48 51 1 870 100
centrala@strumin.pl



Technical specification of unloading platforms



NAME	CAT. NO.	L/Lp [m]	S/Sp [m]	H [m]	Lm [m]	Weight [kg]
WIDE PLATFORM	331	6,12/3,5	2,36/2,2	1,36	2,74	850
MEDIUM PLATFORM	332	6,12/3,5	1,68/1,51	1,36	2,74	720
NARROW PLATFORM	333	6,12/3,5	1,46/1,27	1,36	2,74	650



32-084 MORAWICA 191
tel.: +48 571 870 100
centrala@strumin.pl

SIMPLE & SAFE
STRUMIN



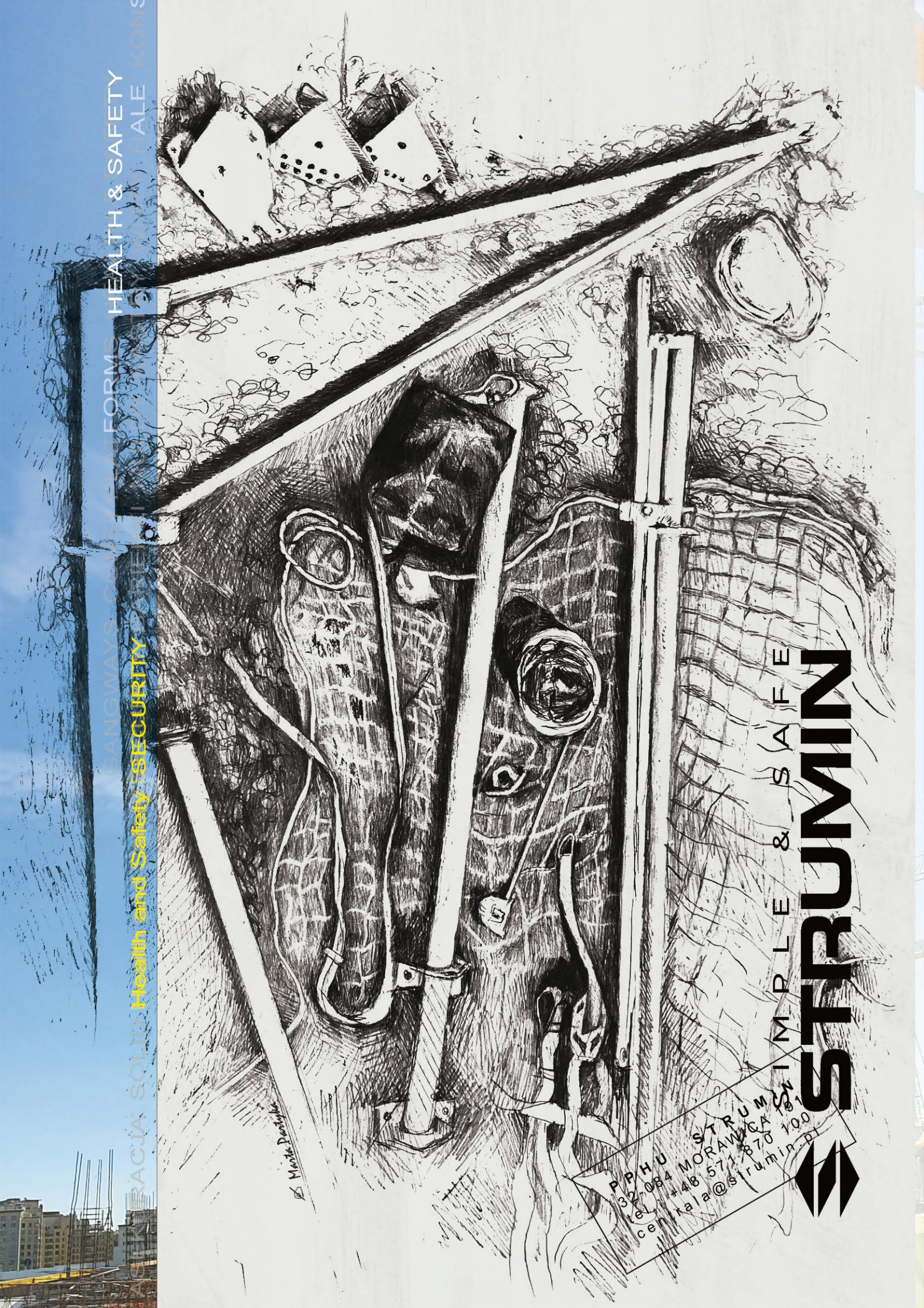
PPHU **STRUMIN**
32-084 MORAWICA 191
tel.: +48 571 870 100
centrala@strumin.pl



PPHU STRUMIN
32-084 MORAWICA 191
tel.: +48 571 870 100
centrala@strumin.pl







HEALTH & SAFETY

SECURITY

COMFORT PLATFORMS

WALKWAY HALE KONS

STRUMIN SIMPLE & SAFE



PPHU STRUMIN
32-084 MORAWICA
tel. +48 571 870 100
centrala@strumin.pl

GALLOWS-TYPE FALL ARREST SYSTEM

information



The gallows-type fall arrest system together with personal protecting equipment was designed to provide safety while performing works at height. Its aim is to protect the user from falling down during construction works.

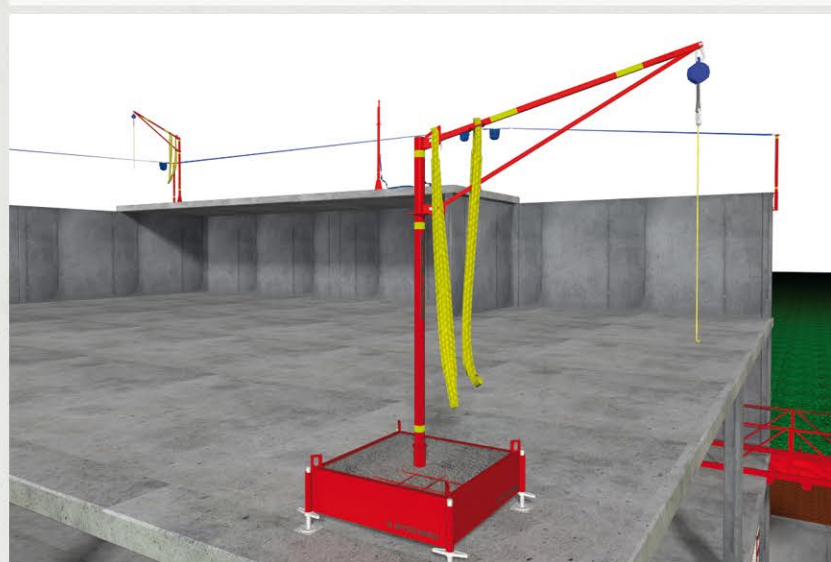
Depending on individual needs, the gallows can be mounted in several different types of sockets that are offered by the STRUMIN fall arrest system.

The system can be mounted either to the ceiling or to the wall and offers the possibility to use a concrete swamped socket or a concrete ballast.

The gallows is equipped with an anchoring point for the "Lifeline" fall arrest system. Low weight of the system allows manual assembly by only one person without the need to use a crane.



Gallows with a foot anchored to the ground.



Gallows mounted on a concrete ballast.



High gallows on a concrete ballast.



32-084 MORAWICA 191
tel.: +48 571 870 100
centrala@strumin.pl



Universal holder for a movable arm



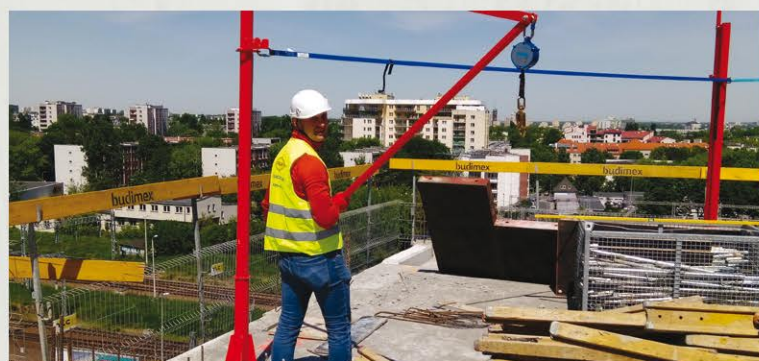
Lifeline system adapter (type B anchoring point).



Type B anchoring point.



Socket anchored to a ceiling.



Self-assembly

Properties

- improves safety
- may save health and life
- low weight
- fast and easy mounting
- visibility
- modular design
- easy for storing and transporting
- EN-795 (type B) certificate
- compliance with the following standards:
EN-795_2012E
EN-354_2012P
EN-360_2005P
EN-362_2006P
- wide range of possible applications



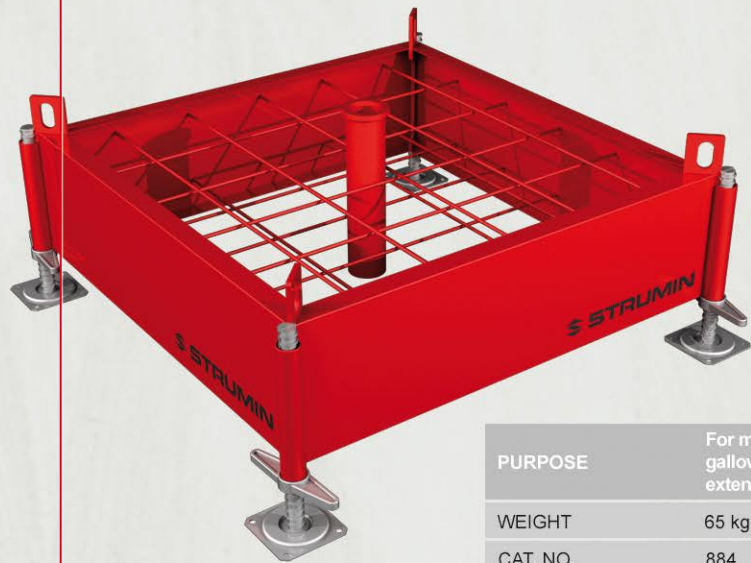
32-084-MORAWICA 191
tel. +48 571 870 100
centrala@strumin.pl



FALL ARREST SYSTEM – SYSTEM'S ELEMENTS

SMALL BALLAST SOCKET

It is used to mount the gallows. The ballast can be placed in any given place on the surface etc. It is equipped with regulated feet that help to level the ballast on an uneven surface and transport brackets. It is available only in the form of shuttering ready to be covered with concrete.



PURPOSE	For mounting fall arrest devices on different surfaces. It cooperates with: gallows type fall arrest device (cat. No. 880), extending adapter 150 cm (888), extending adapter 60 cm (888A).
WEIGHT	65 kg
CAT. NO.	884

LARGE BALLAST SOCKET

It is used to mount the gallows, lifeline poles and extending adapters. The ballast can be placed in any given place on the surface etc. It is equipped with regulated feet that help to level the ballast on an uneven surface and transport brackets. It is available only in the form of shuttering ready to be covered with concrete.



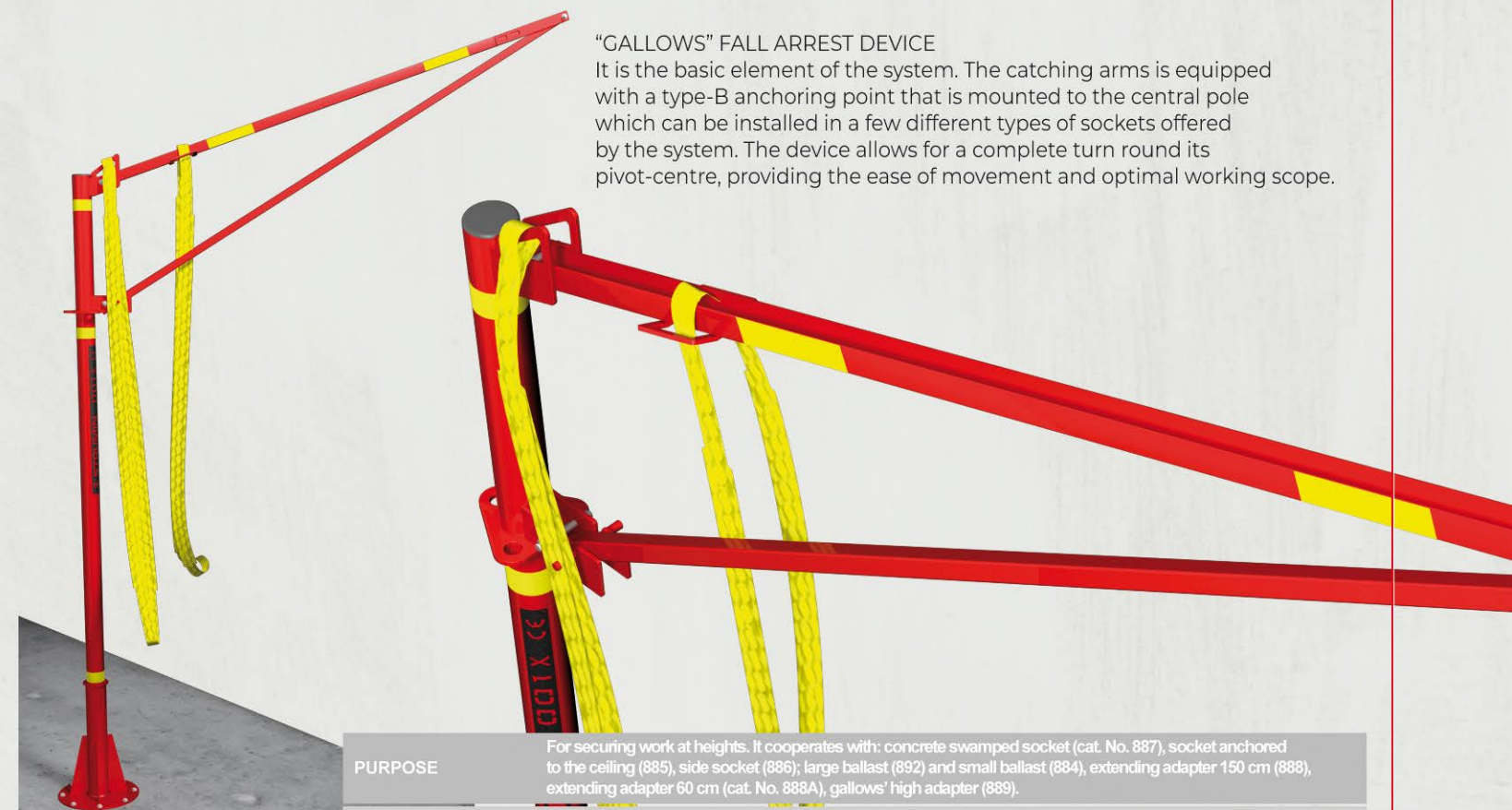
PURPOSE	For mounting fall arrest devices on different surfaces. It cooperates with: gallows type fall arrest device (cat. No. 880), lifeline pole (991), extending adapter 150 cm (888), extending adapter 60 cm (888A), high gallows adapter (889).
WEIGHT	90 kg
CAT. NO.	892

FALL ARREST SYSTEM – SYSTEM'S ELEMENTS



"GALLOWS" FALL ARREST DEVICE

It is the basic element of the system. The catching arms is equipped with a type-B anchoring point that is mounted to the central pole which can be installed in a few different types of sockets offered by the system. The device allows for a complete turn round its pivot-centre, providing the ease of movement and optimal working scope.



PURPOSE	For securing work at heights. It cooperates with: concrete swamped socket (cat. No. 887), socket anchored to the ceiling (885), side socket (886); large ballast (892) and small ballast (884), extending adapter 150 cm (888), extending adapter 60 cm (cat. No. 888A), gallows' high adapter (889).
WEIGHT	29 kg
CAT. NO.	880

LIFELINE POLE

It is the second device of the fall arrest system. The central pole is equipped with three Type-B anchoring points. The poles allow to mount anchoring line and may be used as intermediate support in points where the lifeline device changes its direction (e.g. corners). The poles are mounted in different types of sockets offered by the system. It allows for a complete turn round its pivot-centre what provides flexibility and ease of operation while protecting workers at the construction site.



PURPOSE	For securing work at heights. It cooperates with: concrete swamped socket (cat. No. 887), socket anchored to the ceiling (885), side socket (886); large ballast (892), extending adapter 60 cm (cat. No. 888A).
WEIGHT	13,5 kg
CAT. NO.	991



32-084 MORAWICA 191
tel.: +48 571 870 100
centrala@strumin.pl



FALL ARREST SYSTEM – SYSTEM'S ELEMENTS



CONCRETE SWAMPED SOCKET

It is used to mount the gallows, poles, lifeline and extending adapters. It is an easy, cheap and popular solution, used at construction sites. Planned in-advance setting of sockets in walls and other elements of a building allows workers to quickly move with the fall arrest system attached to a new construction place that is equipped with such socket.

PURPOSE	For mounting fall arrest devices in different types of surfaces. It cooperates with: gallows type fall arrest device (cat. No. 880), lifeline system pole (991), extending adapter 150 cm (888), extending adapter 60 cm (888A).
WEIGHT	1,5 kg
CAT. NO.	887



SOCKET ANCHORED TO THE CEILING

It is used to mount the gallows, poles, lifeline device and extending adapters. It allows to create a socket in any place on the ceiling and does not require planning during the design stage. The socket is mounted with self-tapping screws to concrete. The advantage of this solution is the universality and possibility to use it multiple times (both when it comes to the socket and its mounting elements).

PURPOSE	For mounting fall arrest devices in different types of surfaces. It cooperates with: gallows type fall arrest device (cat. No. 880), lifeline system pole (991), extending adapter 150 cm (888), extending adapter 60 cm (888A).
WEIGHT	20 kg
CAT. NO.	885



SIDE SOCKET

It is used to mount the gallows, poles, lifeline and extending adapters. It allows to create a socket in any place on the wall and does not require planning during the design stage. The socket is mounted with self-tapping screws to concrete. The advantage of this solution is the universality and possibility to use it multiple times (both when it comes to the socket and its mounting elements).

PURPOSE	For mounting fall arrest devices in different types of surfaces. It cooperates with: gallows type fall arrest device (cat. No. 880), lifeline system pole (991), extending adapter 150 cm (888), extending adapter 60 cm (888A).
WEIGHT	7 kg
CAT. NO.	886



EXTENDING ADAPTER 150 cm AND 60 cm

It is used to extend the height of the anchoring point for the gallows by 150 cm or 60 cm. Modular construction provides mobility and comfort while changing the location of construction works. The extending adapter 150 / 60 cm is a universal part of the system that can be used with other elements, e.g. the gallows and mounting sockets. Extending the height of the anchoring point allows to extend the range of the fall arrest device.

PURPOSE	For extending the height of the anchoring point by 150 cm or 60 cm. It cooperates with: gallows type fall arrest device (cat. No. 880), concrete swamped socket (887), socket anchored to the ceiling (885), side socket (886) and large ballast (892).
WEIGHT	15 kg
CAT. NO.	888



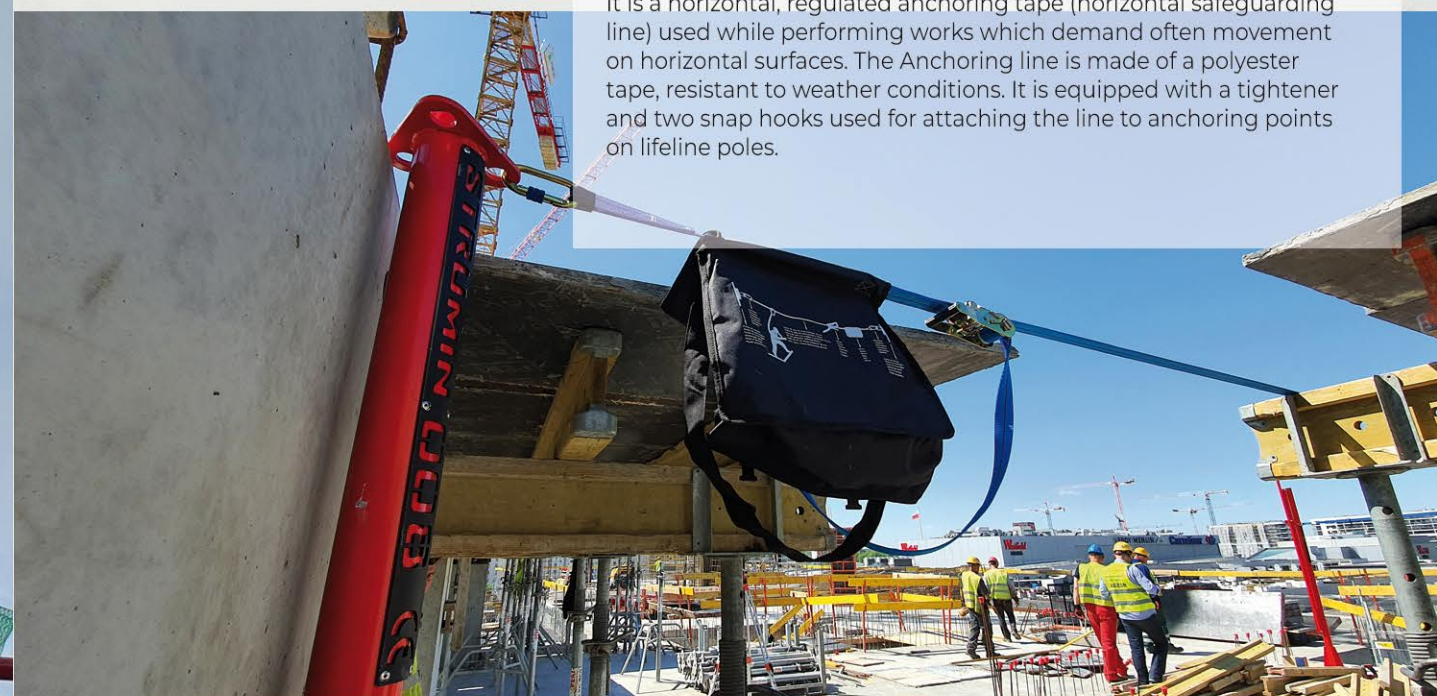
HIGH GALLOWES ADAPTER

It is used to extend the height of the anchoring point of the gallows by 290 cm (up to 6.5 m). Extending the height of the anchoring point allows to extend the range of the fall arrest device. It is mounted to the socket of a concrete foot and secured by three buttresses. The central pole is equipped with rungs that help to mount the fall arrest system (gallows).

PURPOSE	For mounting fall arrest devices on different surfaces. It cooperates with: gallows type fall arrest device (cat. No. 880), socket anchored to the ceiling (885), large ballast (892).
WEIGHT	40 kg
CAT. NO.	889



32-084 MORAWICA 191
tel.: +48 571 870 100
centrala@strumin.pl

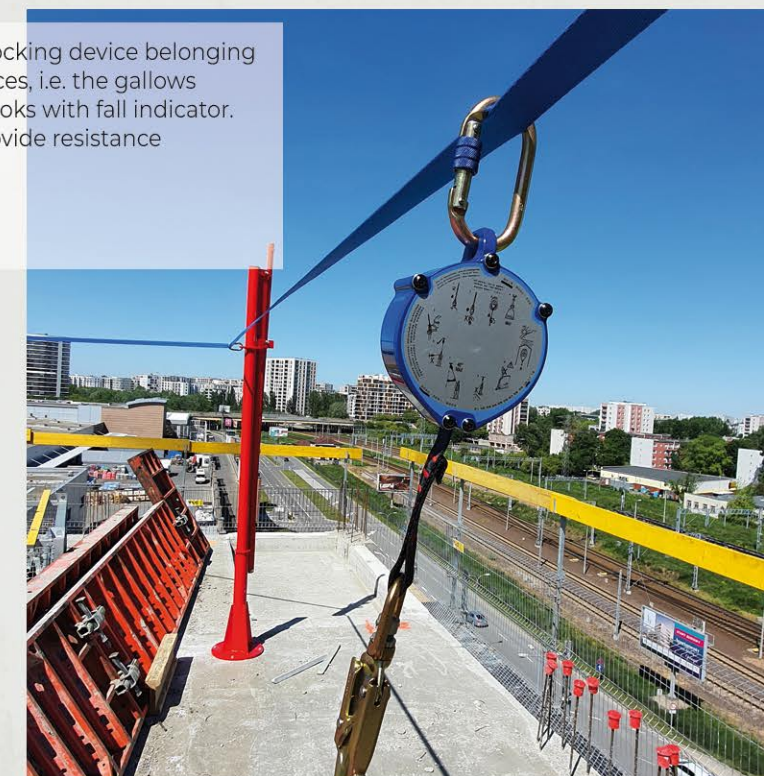


Fall arrest device: anchoring line "lifeline". It is a horizontal, regulated anchoring tape (horizontal safeguarding line) used while performing works which demand often movement on horizontal surfaces. The Anchoring line is made of a polyester tape, resistant to weather conditions. It is equipped with a tightener and two snap hooks used for attaching the line to anchoring points on lifeline poles.

PURPOSE	For safeguarding works at heights. It cooperates with: gallows type fall arrest device (cat. No. 880), lifeline pole (991).
WEIGHT	2 kg
CAT. NO.	992



Fall arrest device: self-locking device. It is a self-locking device belonging to PPE . It closely cooperates with fall arrest devices, i.e. the gallows and lifeline. The device is equipped with snap hooks with fall indicator. Aluminium cover and nylon tape (safety line) provide resistance to different weather conditions.



PURPOSE	For safeguarding works at heights. It cooperates with: gallows type fall arrest device (cat. No. 880), lifeline (992).
WEIGHT	2 / 3 kg
CAT. NO.	996, 997




32-084 MORAWICA
tel.: +48 51 671 87
centrala@strumin.pl



32-084 MORAWICA 191
tel.: +48 51 870 100
centrala@strumin.pl

LIFELINE – FALL ARREST SYSTEMS

i Lifeline system belongs to the family of fall arrest systems that protect workers from falling while performing works at heights. The use of lifeline system minimalizes the risk of the "pendulum" effect. A mobile anchoring point allows to easily move the system in a wide working area. The simplicity of the system makes it easy to adjust to different conditions. The poles of the lifeline system work with all types of sockets that are offered by the STRUMIN fall arrest-system. The universality and flexibility of the system are provided by the anchored sockets swamped in concrete and concrete ballasts.

-  - Protects the user from falling
- Increases the safety at the construction site
- Saves life in case of a fall
- Protects from tripping and falling
- Easy, intuitive installation
- Simple and flexible system
- Light, modular construction
- Easy to store and transport
- EN-705 (Type B) certified
- Compliance with the following standards:
EN-795_2021E, EN-354_2012P,
EN-360_2005P, EN-362_2006P.



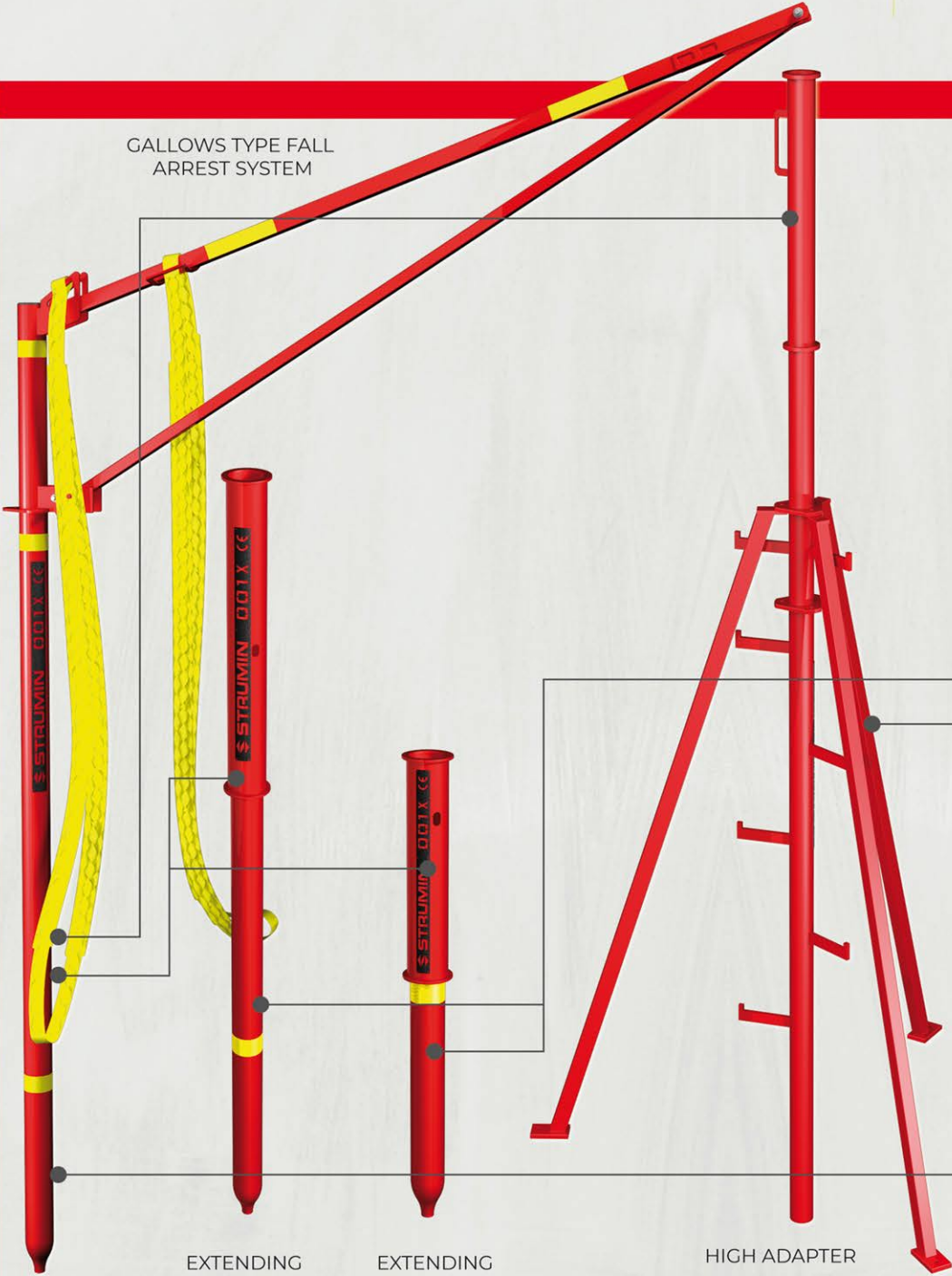
SIMPLE & SAFE
STRUMIN

32-084 MORAWICA 191
tel.: +48 571 870 100
centrala@strumin.pl

FALL ARREST SYSTEM - SCHEME

GALLOW'S TYPE FALL ARREST SYSTEM

LIFELINE POLE



SIMPLE & SAFE
STRUMIN



SPIDER FALL ARREST SYSTEM

information



The Spider fall arrest system with PPE is used to provide safety while working at heights. Its purpose is to prevent a fall through the edge from heights. The "Spider" anchoring device is equipped with four anchoring points used to attach the anchoring line which connects inertial ballasts. It can also be used as an anchoring point for safety lines or self-locking devices. Inertial ballasts are used in case of the lack of possibility to anchor securing devices to the surface.

Taking-over loads that are created during a fall is performed thanks to a friction between the surface and the foot of the ballast. Low weight of the system's elements provide the possibility to be manually installed by one person without the need to use a crane. The construction of the Spider ballast allow to move the device in one part between different working positions.

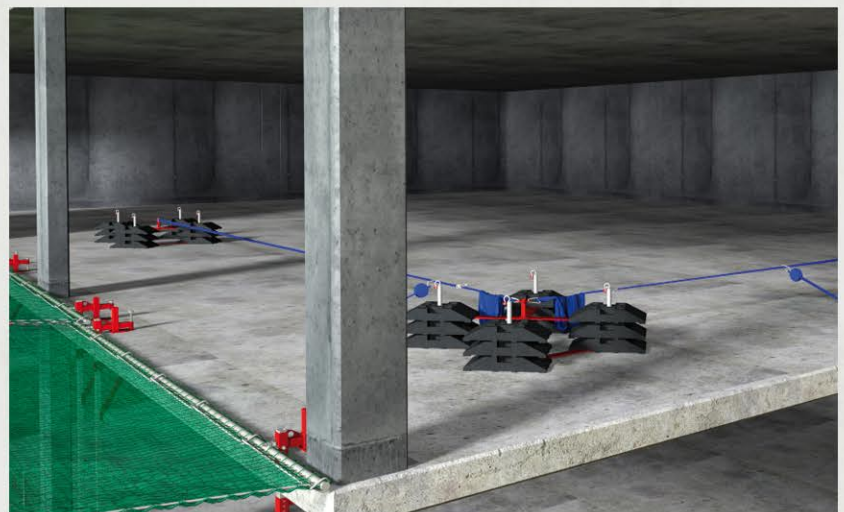


STRUMIN
SIMPLE & SAFE

32-084 MORAWICA 191
tel.: +48 571 870 100
centrala@strumin.pl



Lifeline attached to "SPIDER" inertial ballasts.



Fall arrest system in the terraced form with a common ballast

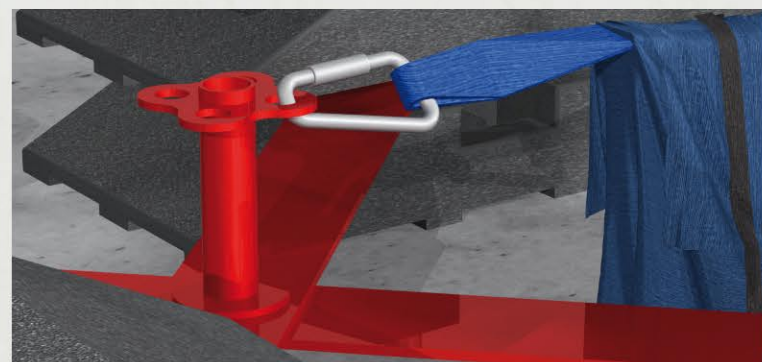


Damping system



Features

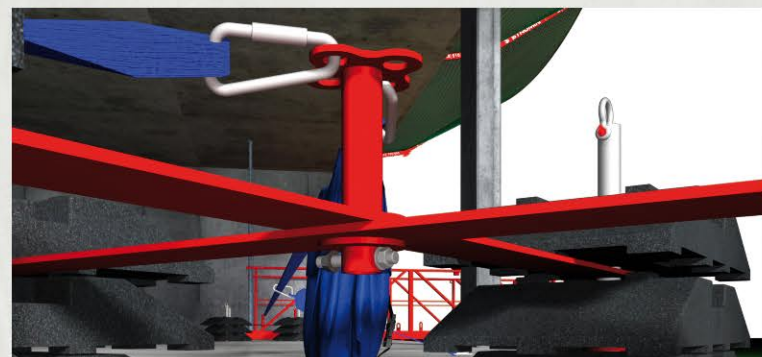
- increases safety
- saves life and health
- low weight of the elements
- easy and quick installation
- visibility
- easy to store and transport
- EN-795 (Type E) certified
- compliance with the following standards:
EN-795_2021E, EN-354_2012P,
EN-360_2005P, EN-362_2006P
- versatility of applications



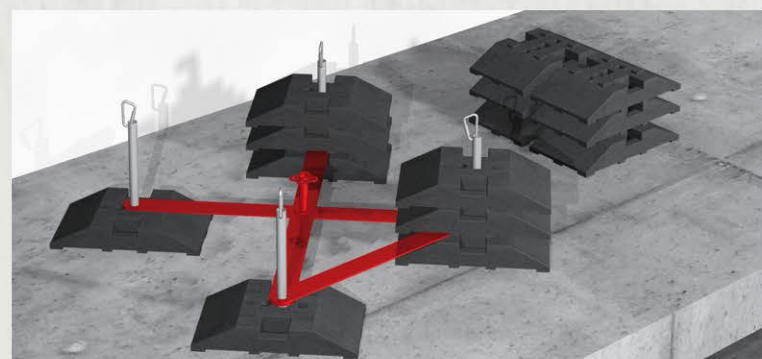
An element with four anchoring points



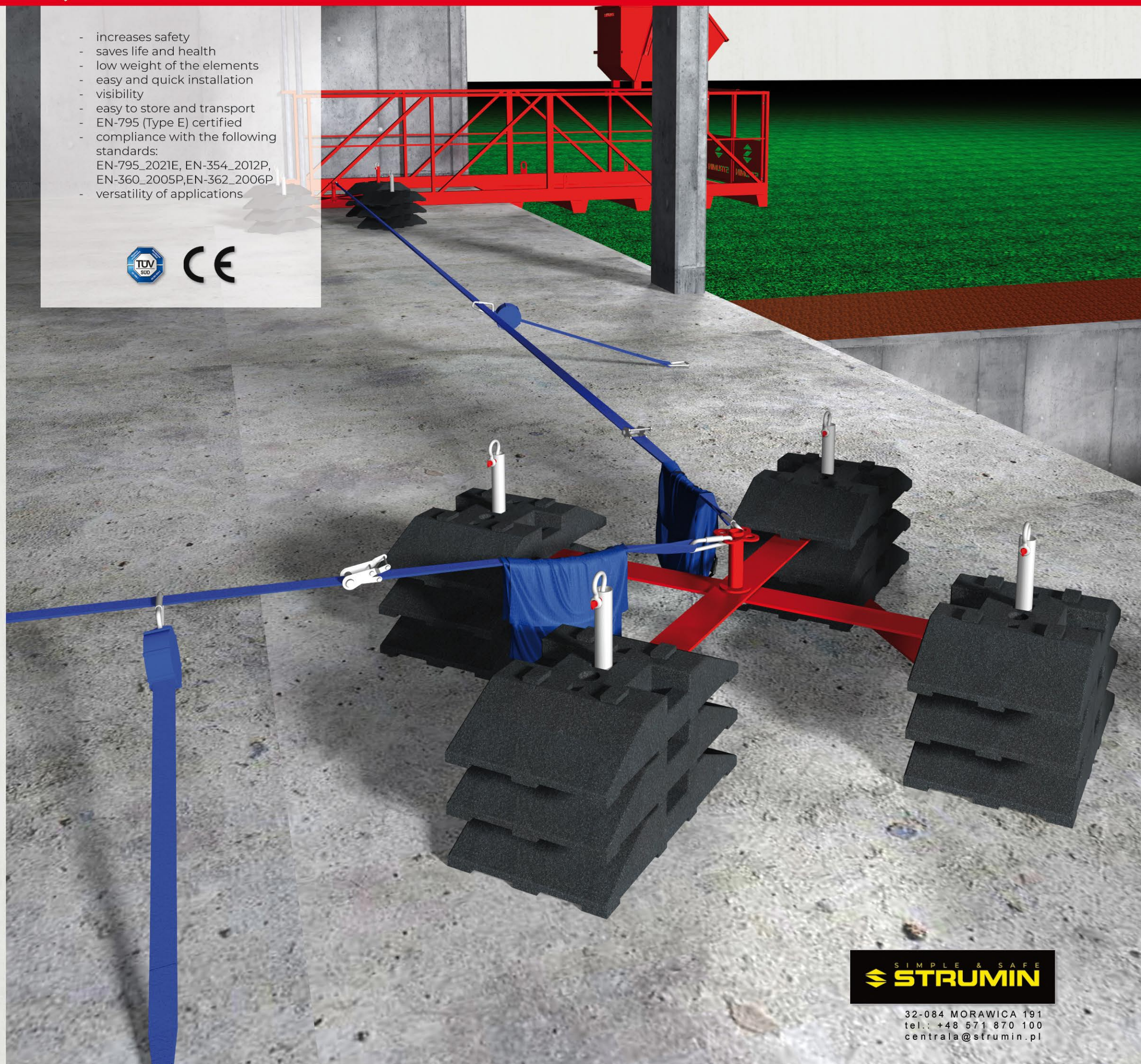
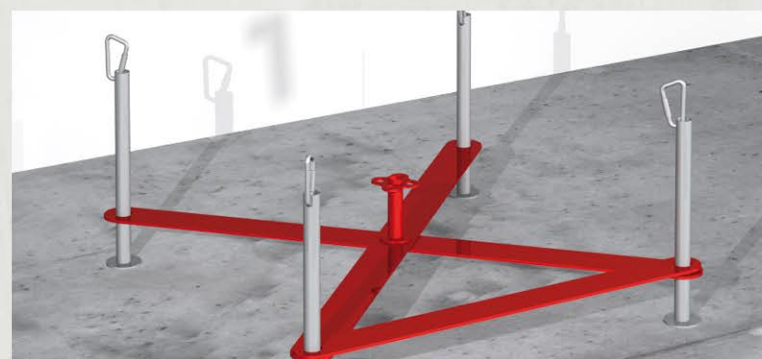
Transport brackets for the crane's sling



Damping construction




Easy and intuitive installation



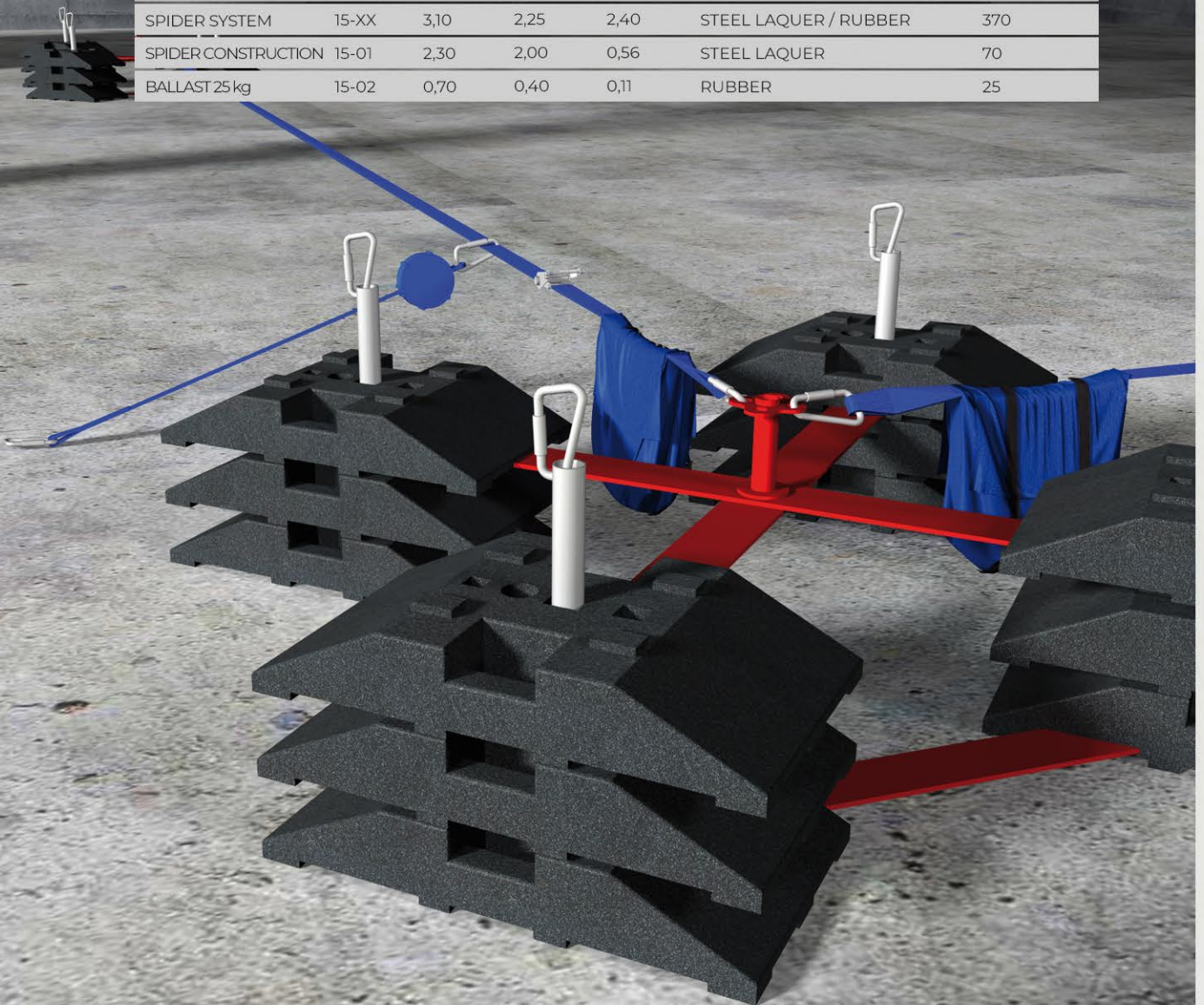
SPIDER FALL ARREST SYSTEM

i The SPIDER fall arrest system belongs to the family of fall arrest devices (lifeline systems) which is used to protect workers while working on heights. The use of the Spider fall arrest system minimalizes the risk of the pendulum effect and protects from fall through the edge. The mobile anchoring point provides the ease of movement within a wide working area. The simplicity of the system allows to easily adjust it to different building conditions.

-  - protects its user from fall
- increases safety on a construction site
- saves life
- protects from tripping
- easy and quick installation
- the possibility of manual installation
- easy and flexible system
- light, modular construction
- easy to store and transport
- EN-795 (Type E) certified
- compliance with the following standards: EN-795_2021E, EN-354_2012P, EN-360_2005P, EN-362_2006P
- versatility of applications



NAME	CAT. NO.	L [m]	S [m]	H [m]	construction	weight [kg]
SPIDER SYSTEM	15-XX	3,10	2,25	2,40	STEEL LAQUER / RUBBER	370
SPIDER CONSTRUCTION	15-01	2,30	2,00	0,56	STEEL LAQUER	70
BALLAST 25kg	15-02	0,70	0,40	0,11	RUBBER	25



32-084 MORAWICA 191
tel.: +48 571 870 100
centrala@strumin.pl

SAFETY BARRIERS



1. HORIZONTAL holder



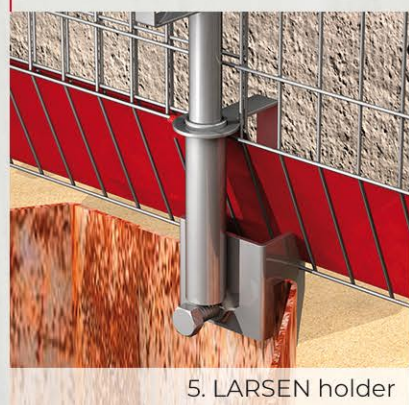
2. VERTICAL holder



3. 500/250 adapter



4. GIRDER holder



5. LARSEN holder



6. INSERTED holder



7. Multi-functional CEILING clamp



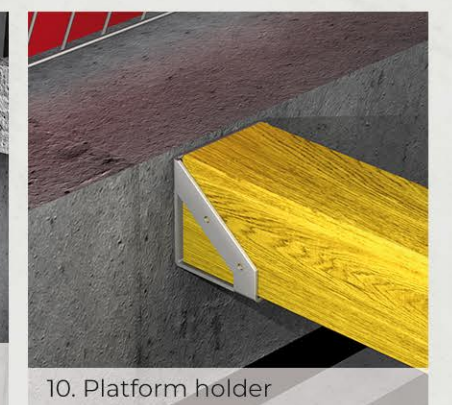
7. Multi-functional CEILING clamp



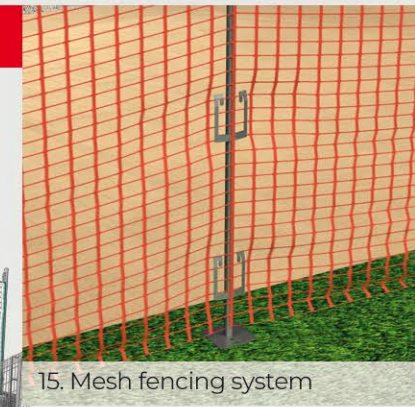
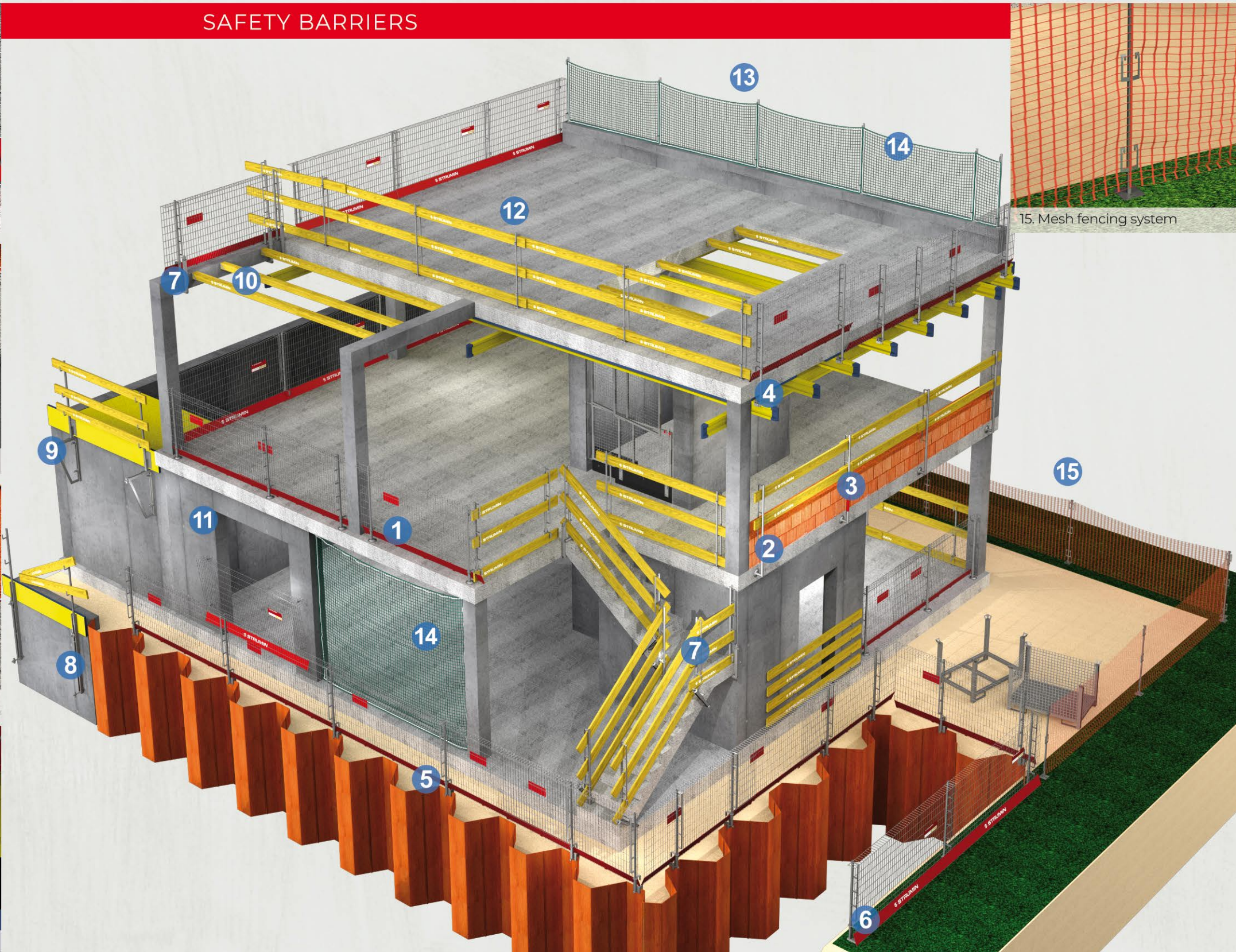
8. FIXED console



9. MOVEABLE console



10. Platform holder



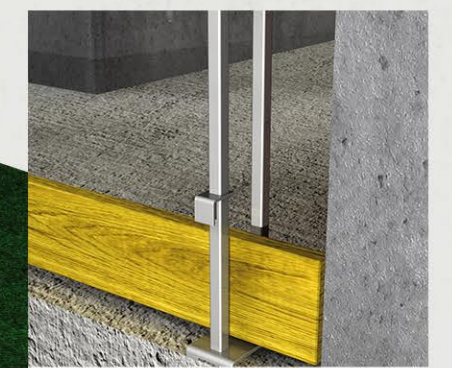
15. Mesh fencing system



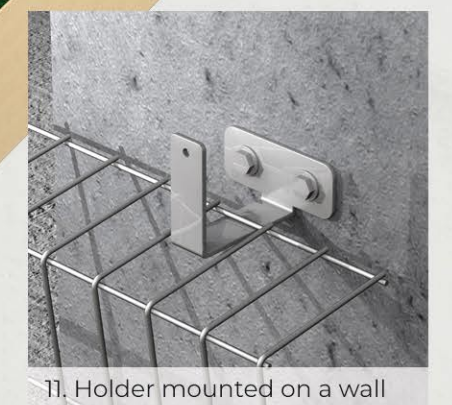
14. MESH WALL



13. LITE pole



12. SINGLE pole



11. Holder mounted on a wall



6. INSERTED holder



7. Multi-functional CEILING clamp



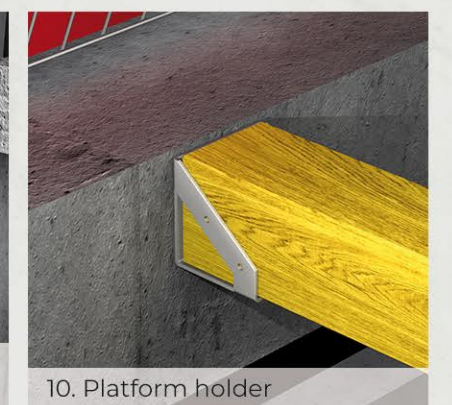
7. Multi-functional CEILING clamp



8. FIXED console



9. MOVEABLE console



10. Platform holder

EDGE PROTECTION SYSTEMS

information



EPS (Edge Protection Systems) are wide range of products that include edge protection fences. They are widely used at construction sites, during road works, to temporary protect such works as digging trenches etc. The poles were designed for different types of holders and the filling of the railing, depending on requirements, may be full (i.e. panel mesh or boarding). EPS contain edge protection measures and work with shuttering systems.

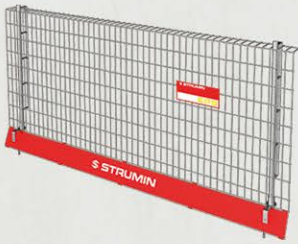
advantages



- universal system
- different types of fixing methods
- universal pole, h: 120 cm
- filling with toe board
- galvanized / lacquered construction
- simple and intuitive installation
- complies with safety norms
- certified



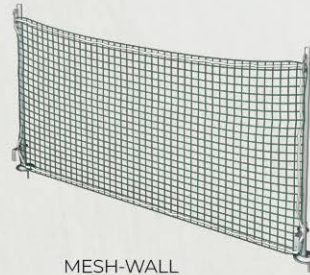
32-084 MORAWICA 191
tel.: +48 571 870 100
centrala@strumin.pl



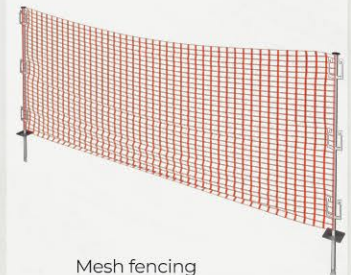
Steel mesh Panel 250
cat. no.: 1300



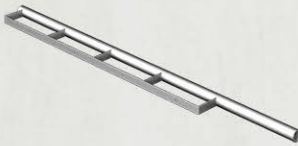
EPS Board 250
Cat. no.: 1301



MESH-WALL
Cat. no.: 1330



Mesh fencing
cat. no.: 1331



H pole
Cat. no.: 1302



ECONOMY pole
Cat. no.: 1303



LITE pole
Cat. no.: 1304



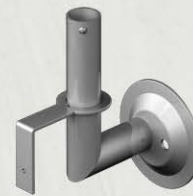
SINGLE pole
Cat. no.: 1305



Fencing pole
Cat. no.: 1323



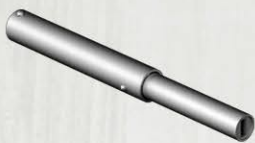
Horizontal holder
Cat. no.: 1306



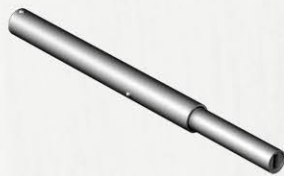
Vertical holder
Cat. no.: 1307



Inserted holder
Cat. no.: 1313



250 adapter
Cat. no.: 1309



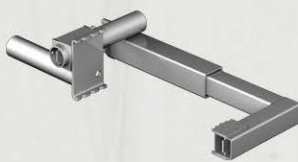
500 adapter
Cat. no.: 1308



GIRDER holder
Cat. no.: 1310



LARSEN holder
Cat. no.: 1311



Multi-functional
ceiling clamp
Cat. no.: 1312



Holder mounted
on a wall
Cat. no.: 1314



Scaffolding board
holder
Cat. no.: 1315



Platform holder
Cat. no.: 1316



FIXED console
Cat. no.: 1317

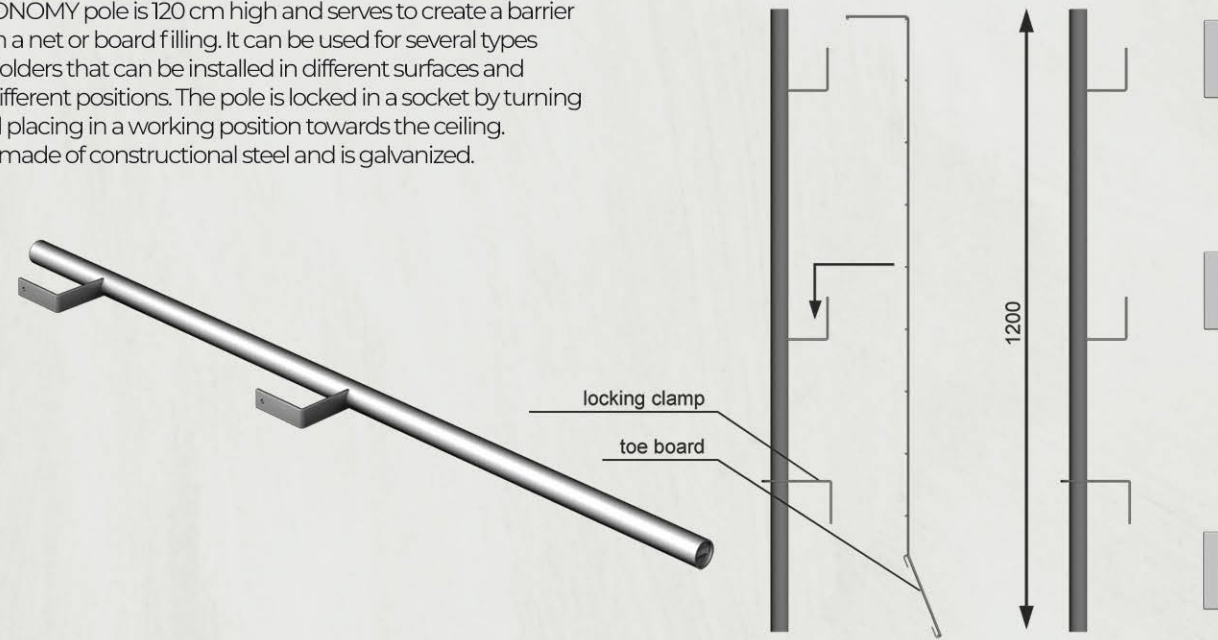


MOVEABLE console
Cat. no.: 1318



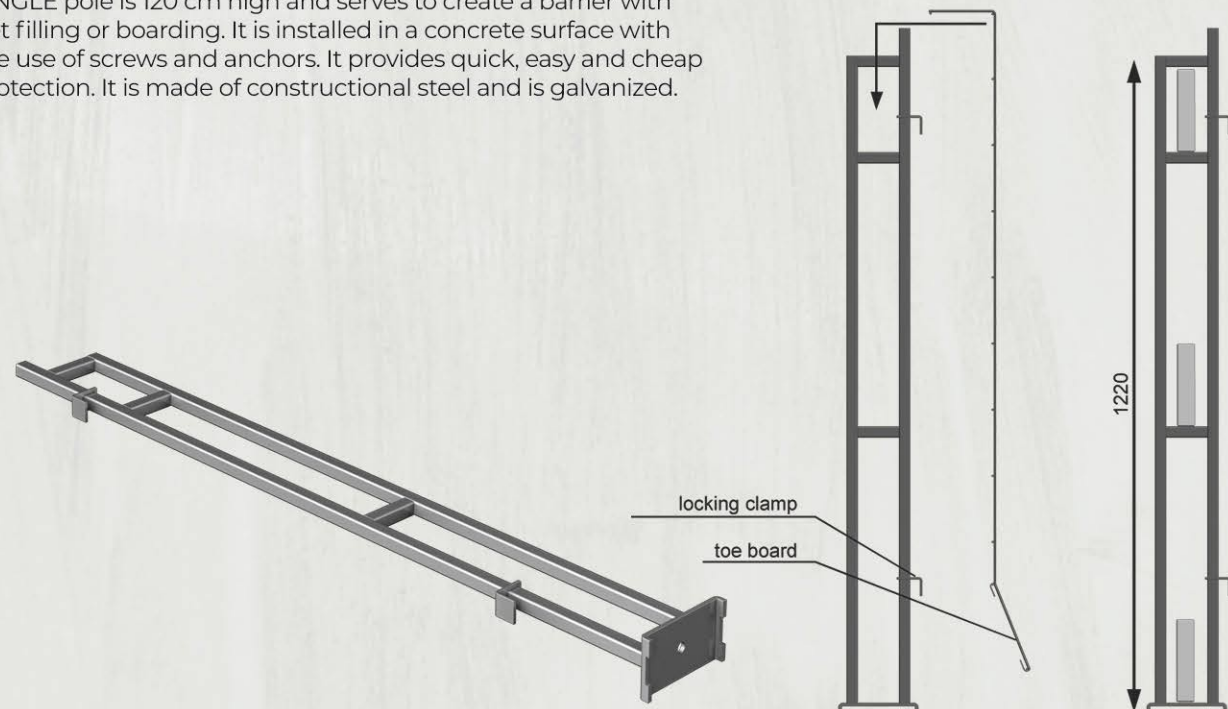
SYSTEM COMPONENTS

ECONOMY pole is 120 cm high and serves to create a barrier with a net or board filling. It can be used for several types of holders that can be installed in different surfaces and in different positions. The pole is locked in a socket by turning and placing in a working position towards the ceiling. It is made of constructional steel and is galvanized.



PURPOSE	To create a protecting barrier from the net module 250 or boarding 250. It protects people, objects, tools and building materials from falling through the working area edges and it works with a horizontal and vertical holder, a 500 and 250 adapter, a girder holder, a Larsen holder, a ceiling clamp and an inserted holder.
WEIGHT	2.9 kg
CAT. NO.	1303

SINGLE pole is 120 cm high and serves to create a barrier with net filling or boarding. It is installed in a concrete surface with the use of screws and anchors. It provides quick, easy and cheap protection. It is made of constructional steel and is galvanized.



PURPOSE	To create a protecting barrier from the net module 250 or boarding 250. It protects people, objects, tools and building materials from falling through the working area edges.
WEIGHT	3.6 kg
CAT. NO.	1305

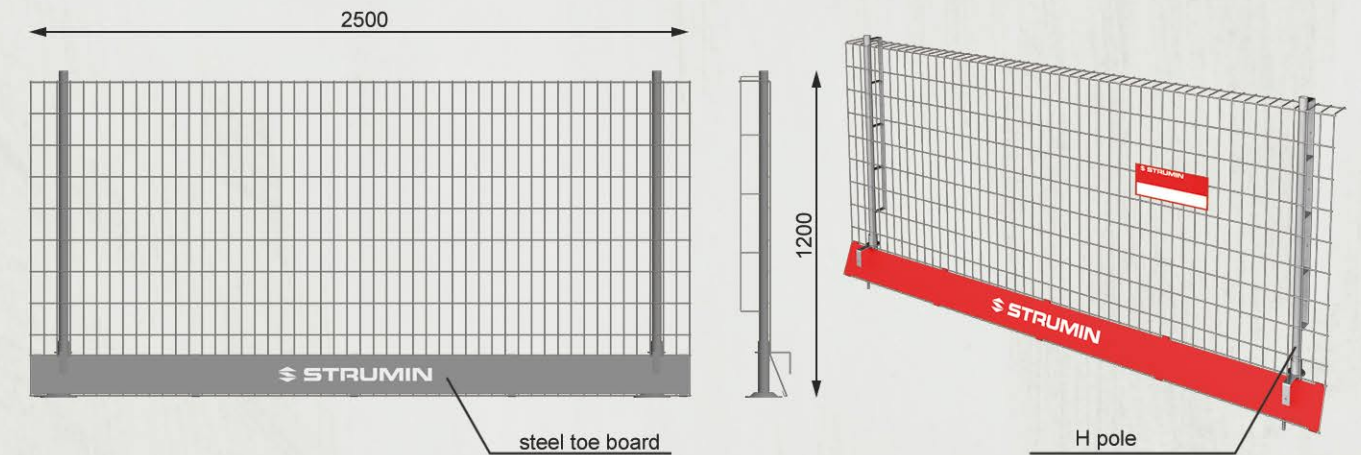
SYSTEM COMPONENTS



Steel mesh panel 250 is made of welded, galvanized mesh that consist of three areas of protection:

- 12 cm wide upper "shelf", working as a supinated grip
- vertical filling 120 cm high over the working area
- full steel toe board, 15 cm height

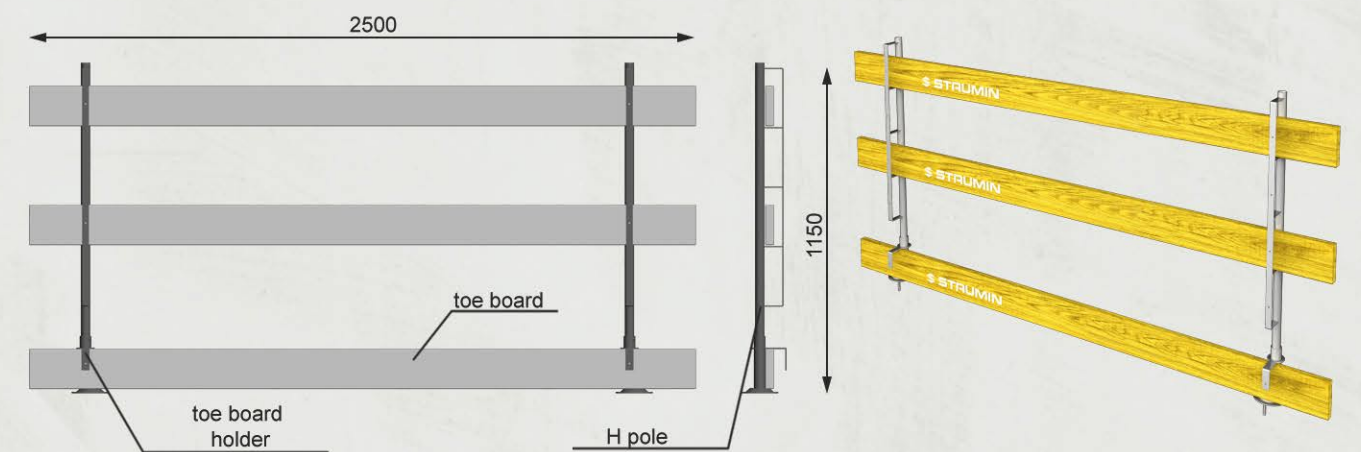
The vertical wires are placed every 5 cm. The oblique placement of the toe board allows to effectively block small objects, e.g. debris, from accidental throw away from the working area.



PURPOSE	To protect people, objects, tools and building materials from falling through the working area edges.
WEIGHT	13.5 kg
CAT. NO.	1300

Fencing Filling – EPS board 250 is made of three parts (a board 250 0 × 150 × 32) and provides protection from falling through the edge at the working area. It is installed in H pole sockets.

The bottom board provides protection – it is a toe board that is used to catch small objects, accidentally falling from the working area.



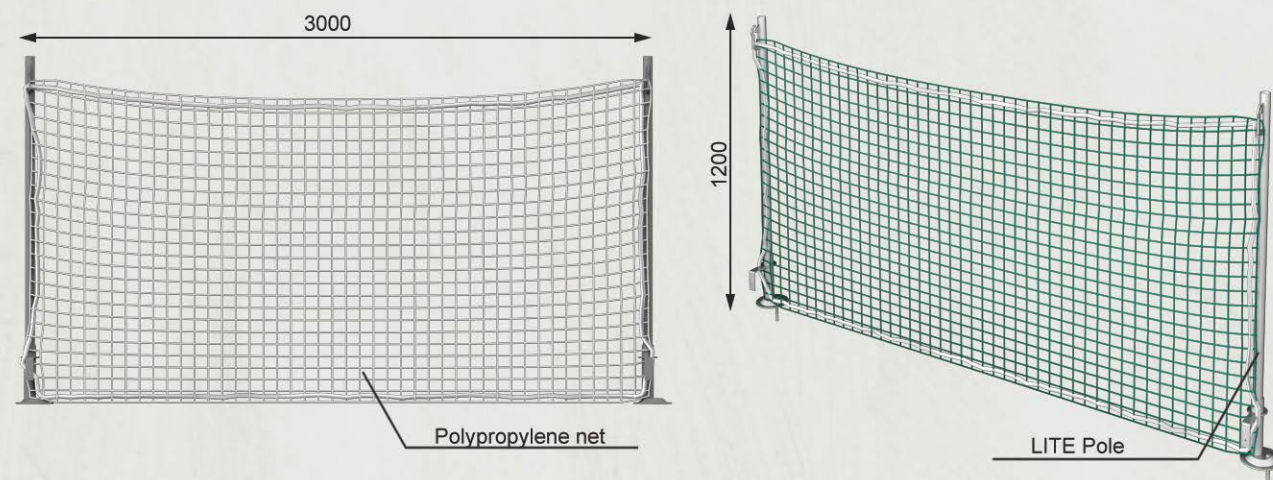
PURPOSE	To protect the edges of a working area
WEIGHT	6.5 kg
CAT. NO.	1301





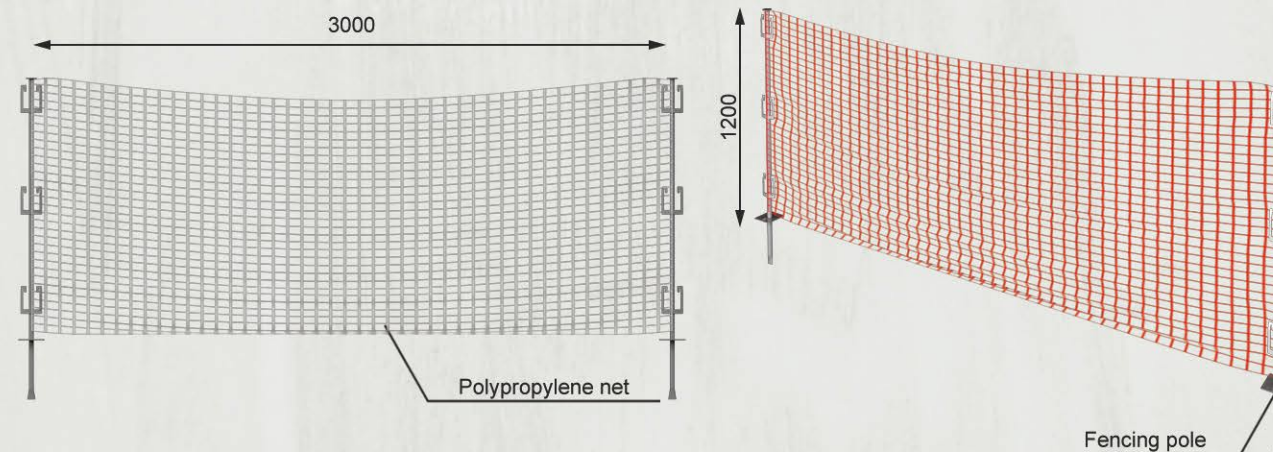
SYSTEM COMPONENTS

MESHWALL net is a polypropylene barrier. Its basic advantages are low weight, easy installation and resistance to different weather conditions. The MESHWALL barrier consists of poles (e.g. LITE), a net and an edge line that works as a supinated grip and an element stretching the whole system. The net is produced in accordance with the norms concerning edge protection systems and fall arrest systems (safety nets).



PURPOSE	To protect people, objects, tools and building materials from falling through the working area edges
WEIGHT	1.5 kg
CAT. NO.	1330

Mesh fencing is a barrier in the form of a non-stretching PVC net. Its basic advantages are low weight, easy installation, resistance to different weather conditions and universality. The system is used at construction sites, during renovations and road works etc. It can be used to protect deep trenches. The solution is also a warning barrier. The poles are made of constructional steel and are galvanized.

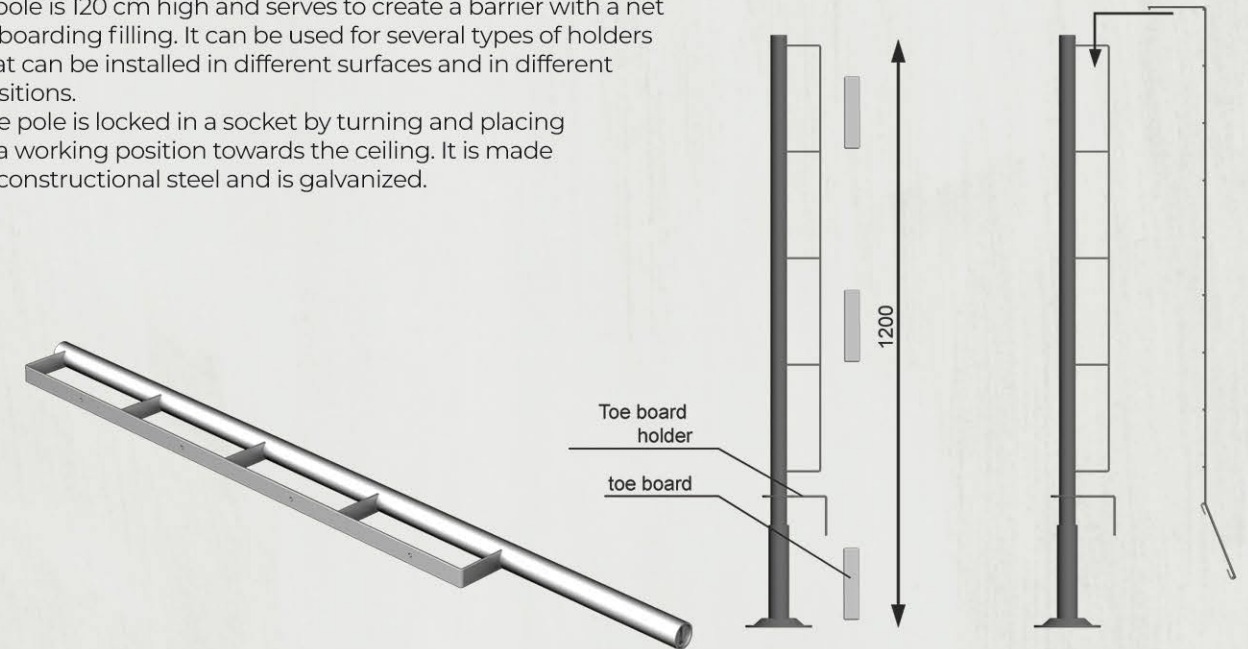


PURPOSE	To protect working edges or dangerous working areas. Serves as a warning barrier.
WEIGHT	1.5 kg
CAT. NO.	1331

SYSTEM COMPONENTS

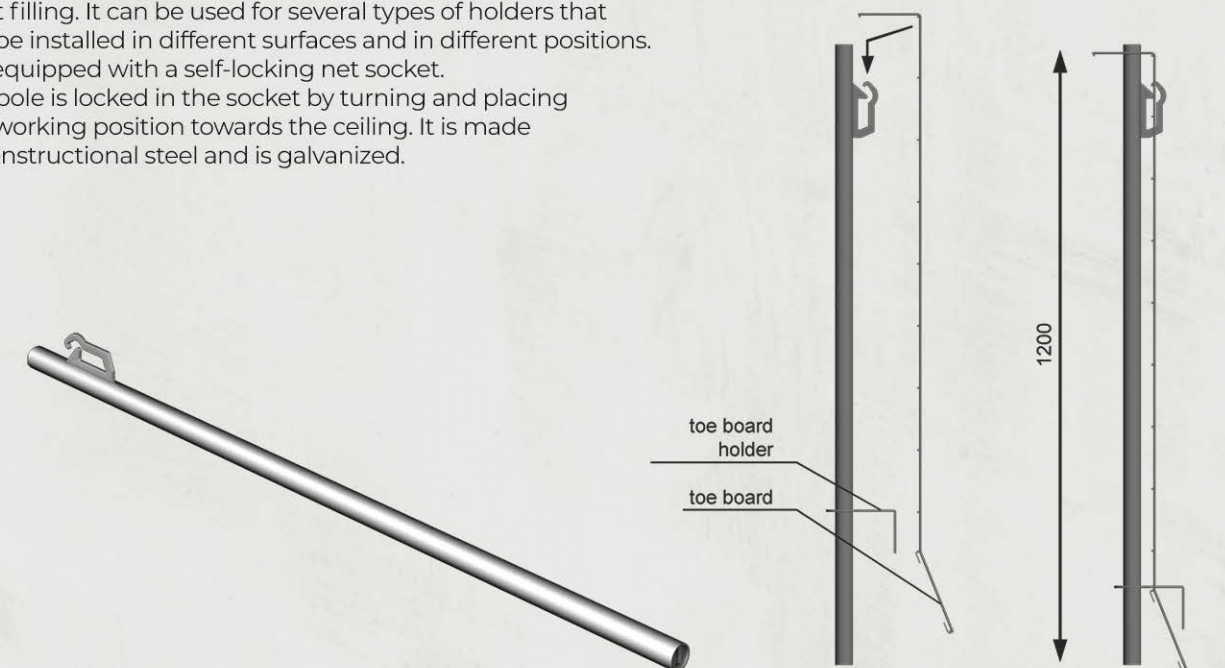


H pole is 120 cm high and serves to create a barrier with a net or boarding filling. It can be used for several types of holders that can be installed in different surfaces and in different positions. The pole is locked in a socket by turning and placing in a working position towards the ceiling. It is made of constructional steel and is galvanized.



PURPOSE	To create a protecting barrier from the net panel 250 or boarding panel 250. It protects people, objects, tools and building materials from falling through the working area edges and it works with a horizontal and vertical holder, a 500 and 250 adapter, a girder holder, a Larsen holder, a ceiling clamp and an inserted holder.
WEIGHT	3.8 kg
CAT. NO.	1302

LITE pole is 120 cm high and serves to create a barrier with a net filling. It can be used for several types of holders that can be installed in different surfaces and in different positions. It is equipped with a self-locking net socket. The pole is locked in the socket by turning and placing in a working position towards the ceiling. It is made of constructional steel and is galvanized.

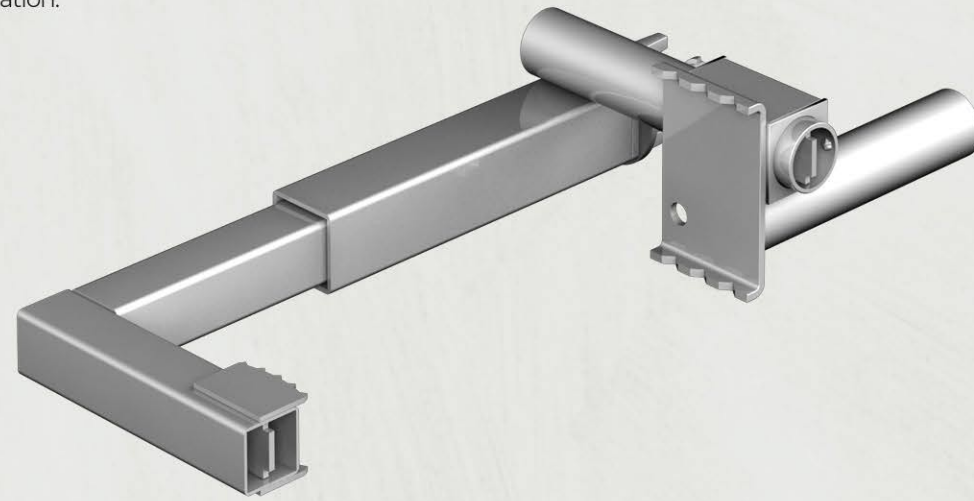


PURPOSE	To create a protecting barrier from the net panel 250. It protects people, objects, tools and building materials from falling through the working area edges and it works with a horizontal and vertical holder, a 500 and 250 adapter, a girder holder, a Larsen holder, a ceiling clamp and an inserted holder.
WEIGHT	2.8 kg
CAT. NO.	1303





Multifunctional ceiling CLAMP is used to install safety systems on edges, ceilings, ledges and stairs. It has a moveable, turning head with a barrier's pole holder. The foot/top head has a locking socket that is used to lock a pole and protects it from an accidental pulling out. The clamp is adjusted to work with ceilings of different sizes and stairs of different gradient. It is easy in use, depending on the need and configuration, and offers a wide scope of combinations. Detailed information about the device are available in the technical documentation.



PURPOSE	To protect people, objects, tools and building materials from falling through the working area edges
WEIGHT	1.5 kg
CAT. NO.	1330

INSERTED holder is used to create a protective barrier on any surface, allowing to insert a holder's anchor. The surface must provide stability of the pole, so as no deviation from the vertical will occur because of the weather conditions. The holder has a locking socket that is used to lock a pole and protects it from an accidental pulling out. It is made of constructional steel and is galvanized.



PURPOSE	To create a protective barrier. It works with H, STANDARD and LITE poles, as well as 500 and 250 adapters.
WEIGHT	1.2 kg
CAT. NO.	1313

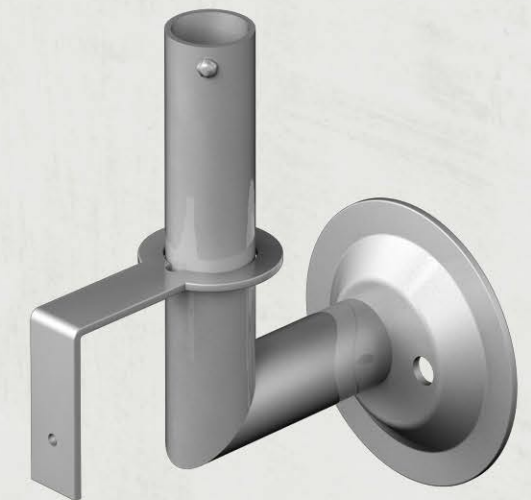


HORIZONTAL holder is used to mount poles to the working surface. It is installed in a horizontal position in the surface with the use of screws and anchors. The holder has a socket with a locker that helps to lock the pole and protects it from accidental pulling out. It contains a toe board holder, applied when a mesh or boarding is used. It is made of constructional steel and is galvanized.



PURPOSE	To create a protecting barrier. Works with H, STANDARD and LITE poles, as well as an extending adapter 500 and 250.
WEIGHT	1.1 kg
CAT. NO.	1306

VERTICAL holder is used to mount poles to the working surface. It is installed in a vertical position in the surface with the use of screws and anchors. The holder has a socket with a locker that helps to lock the pole and protects it from accidental pulling out. It contains a toe board holder applied when an extending adapter 500/250 is used. It helps to lock a net or mount a toe board on the level of a pole or an extending adapter. It is made of constructional steel and is galvanized.

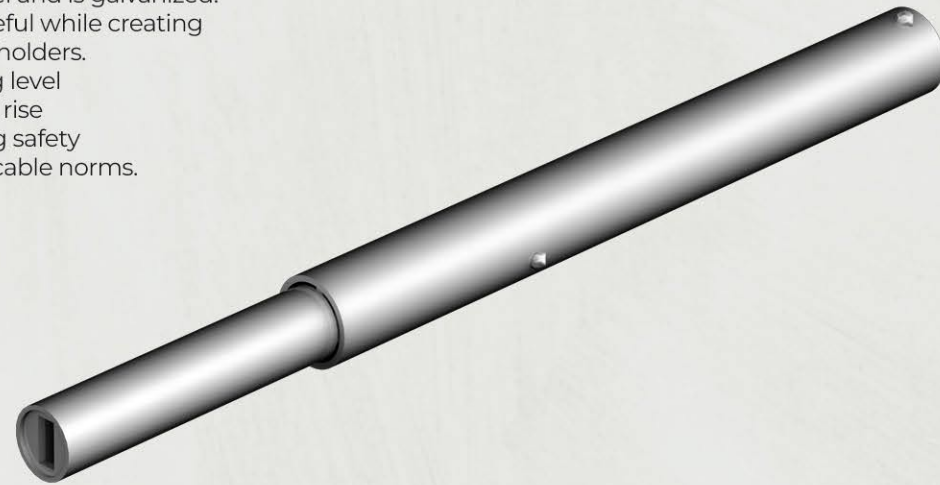


PURPOSE	To create a protecting barrier. Works with H, STANDARD and LITE poles, as well as an extending adapter 500 and 250.
WEIGHT	1.45 kg
CAT. NO.	1307



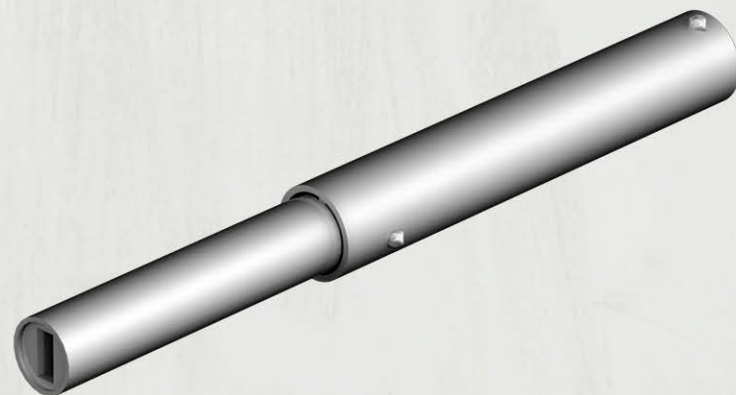


EXTENDING adapter 500 is used to elevate the protecting barrier's pole, e.g. when mounted to side feet (when there is the need to lower the barrier's height in relation to the working area). When it is needed, the height adapter allows to elevate the protection by 500 mm. The adapter has a bottom locking socket working with a handle and a top socket working with the pole's socket. The sockets lock each other, protecting from an accidental pull out. It is made of constructional steel and is galvanized. Extending adapters are also useful while creating barriers on girder and LARSEN holders. In case of elevating the working level (e.g. concrete floor, board), they rise the barrier to the level providing safety and compliance with the applicable norms.



PURPOSE	To rise the barrier's height. It works with a horizontal and a vertical holder, girder holder, LARSEN holder, ceiling clamp, inserted holder as well as H, STANDARD AND LITE poles.
WEIGHT	2.7 kg
CAT. NO.	1308

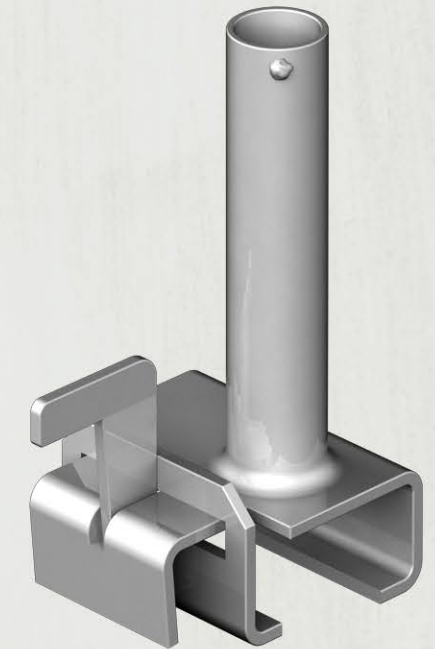
EXTENDING adapter 250 is used to elevate the protecting barrier's pole, e.g. when mounted to side feet (when there is the need to lower the barrier's height in relation to the working area). When it is needed, the height adapter allows to elevate the protection by 500 mm. The adapter has a bottom locking socket working with a handle and a top socket working with the pole's socket. The sockets lock each other, protecting from an accidental pull out. It is made of constructional steel and is galvanized. Extending adapters are also useful while creating barriers on girder and LARSEN holders. In case of elevating the working level (e.g. concrete floor, board), they rise the barrier to the level providing safety and compliance with the applicable norms.



PURPOSE	To rise the barrier's height. It works with a horizontal and a vertical holder, girder holder, LARSEN holder, ceiling clamp, inserted holder as well as H, STANDARD AND LITE poles.
WEIGHT	1.4 kg
CAT. NO.	1309



GIRDER holder is used to create a protecting barrier on girder shuttering. Its main advantage is fast and easy installation. It does not require the use of electrical appliances, anchors etc. The installation is based on putting an open clamp on a girder shuttering and closing it with a hammer, which allows to tap it into the socket's clamp. It is made of constructional steel and is galvanized. When using the height adapter 500/250, it is easy to elevate the barrier to the level providing safety and compliance with the applicable norms. It happens during pouring concrete floor or placing floor slabs that elevate the working level (lowering the height of the protection created earlier, e.g. on girder shuttering).



PURPOSE	To create the protective barrier on shuttering (girder shuttering) while performing works connected to preparing the next floors of a building (boarding shafts etc.). It works H, STANDARD AND LITE poles.
WEIGHT	2.5 kg
CAT. NO.	1310

LARSEN holder is used to create a protecting barrier on sheet piles. Its main advantage is easy installation and deinstallation. It all comes down to tightening a locking screw. Another advantages are low weight and the ease of storing and transporting. The LARSEN clamp has a locking socket that is used to lock a pole and protects it from an accidental pulling out.

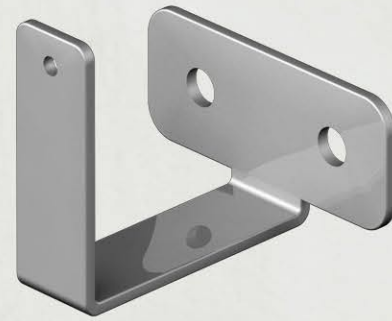


PURPOSE	To create a protective barrier on sheet piles while performing groundworks etc. It can also be used with profiles, constructional elements to which a device's jaws can be mounted. It works H, STANDARD and LITE poles, as well as 500 and 250 adapters.
WEIGHT	2 kg
	1311





Holder MOUNTED ON A WALL is used to provide safety barrier on wall openings (e.g. windows, doors, elevators). It is mounted with screws in concrete or mechanical anchors. It is made of constructional steel and is galvanized.



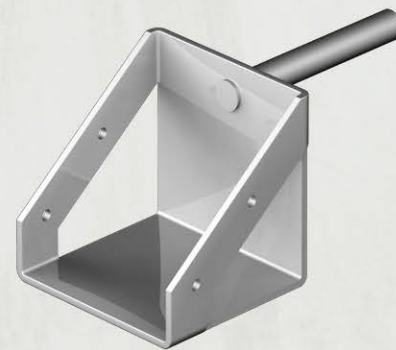
PURPOSE	To create a protective barrier on wall openings. It works with a mesh panel and boarding.
WEIGHT	0.3kg
CAT. NO.	1314

Scaffolding BOARD holder is used to block elements filling a barrier, i.e. a mesh panel, boarding and toe boards' mounting on holders (vertical and horizontal), 500/250 adapters or system poles. It is made of constructional steel and is galvanized.



PURPOSE	To create a mesh panel or boarding. It works with a horizontal and a vertical holder, a 500 and a 250 adapter, a girder holder, a Larsen holder, a ceiling clamp, an inserted holder, as well as H, STANDARD and LITE poles.
WEIGHT	0.3 kg
CAT. NO.	1315

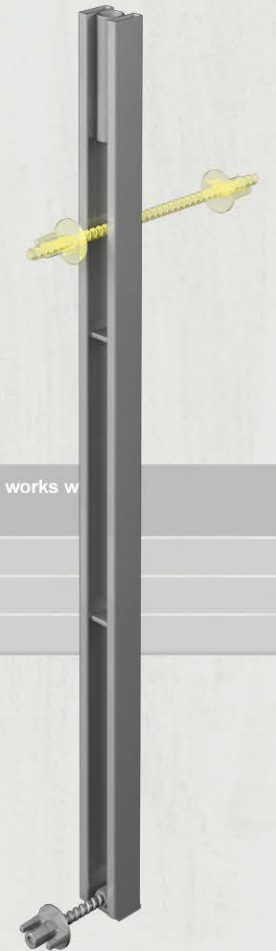
PLATFORM holder is used to mount horizontal bars which are part of the working platforms. It is made of constructional steel and is galvanized.



PURPOSE	To create working platforms, mount platform bars.
WEIGHT	1.85 kg
CAT. NO.	1316



FIXED console is used to provide safety on the edges of a wall while performing shuttering works and is also a part of the shuttering (serves to affix a shuttering board). It is a universal solution supporting both constructional works and increasing the level of safety. The solution uses holes that were created in walls during the earlier shuttering. It allows to save time normally spent on mounting the safety system (no need to drill, anchor etc.).



PURPOSE	To create a protective barrier on walls while performing shuttering works. It works with STANDARD and LITE poles, as well as 500 and 250 adapters.
WEIGHT	11.5 kg
CAT. NO.	1317

MOVEABLE console is used to provide safety on the edges of a wall while performing shuttering works and is also a part of the shuttering (serves to affix a shuttering board). It is a universal solution supporting both constructional works and increasing the level of safety. The solution uses holes that were created in walls during the earlier shuttering. It allows to save time normally spent on mounting the safety system (no need to drill, anchor etc.). It is an advanced version of the FIXED console and provides the possibility to adjust the distance between a shuttering board and a wall.



PURPOSE	To create a protective barrier on walls while performing shuttering works. It works with H, STANDARD and LITE poles, as well as 500 and 250 adapters.
WEIGHT	11 kg
CAT. NO.	1318





SYSTEM COMPONENTS

FENCING pole. A light and simple element supporting the mesh fencing.

It is equipped with brackets protecting from its accidental detaching, e.g. caused by wind blows. A square foot allows to mount the poles on a fixed level what improves the installation in the surface and makes it quicker.

The pole has two fluorescent fields which significantly improve its visibility (at night or during bad weather conditions such as fog, snow or rain).

It is made of galvanized steel what makes it resistant to weather conditions.

PURPOSE

To secure working edges and dangerous places. Can be used as a warning element. It works with a mesh fencing (cat. No. 1332).

DIMENSIONS

total length 150 cm, working height 120 cm, inserting depth 30 cm

WEIGHT

3 kg

CAT. NO.

1323



Mesh FENCING / WARNING – light, flexible and durable solution used at construction sites while performing renovation and road works. It is used to separate and protect different types of dangerous places, such as trenches, banks, landslides, drains, marking of cables or pipes. It is characterized by a high level of resiliency. It is easy to install and deinstall. Orange colour provides great visibility, so it is often used as a warning mesh.

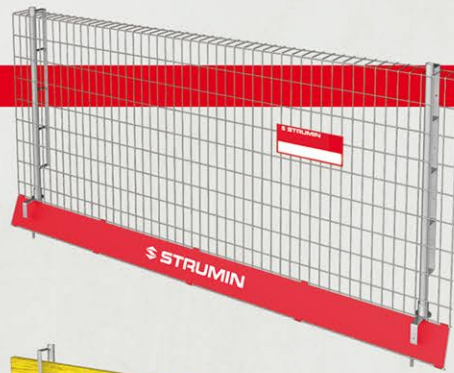
PURPOSE	To secure working edges and dangerous places. Can be used as a warning element. It works with a fencing pole (cat. No. 1323).
DIMENSIONS	height 120 cm, length 50 mb (roll)
WEIGHT	12 kg / 50 m (grammage 240 g/m)
CAT. NO.	1332



SIMPLE & SAFE
 STRUMIN

32-084 MORAWICA 191
tel. +48 571 870 100
centrala@strumin.pl

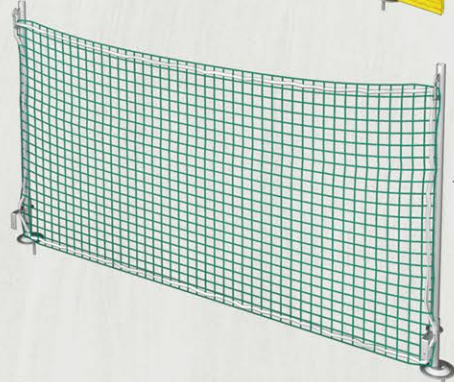
EDGE PROTECTION SYSTEM



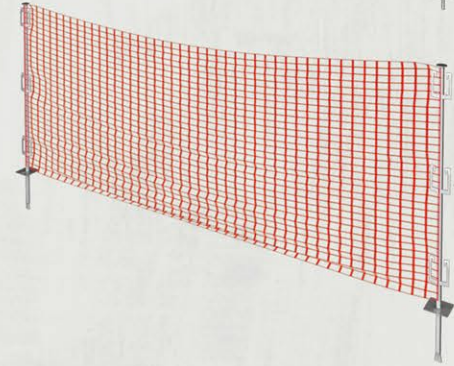
steel mesh panel 250
cat. no.: 1300



EPS Board 250
cat. no.: 1301



MESH-WALL
cat. no.: 1330



Mesh fencing
cat. no.: 1331



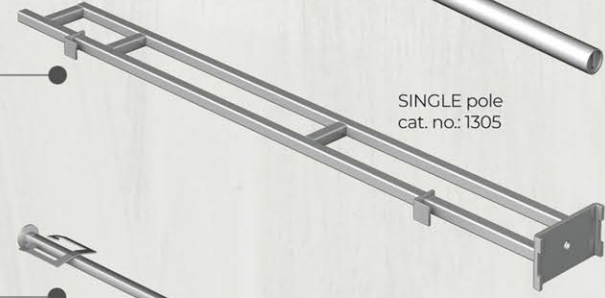
H pole
cat. no.: 1302



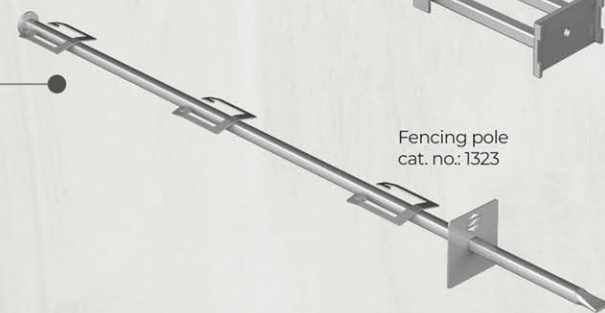
STANDARD pole
cat. no.: 1303



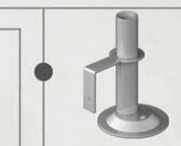
LITE pole
cat. no.: 1304



SINGLE pole
cat. no.: 1305



Fencing pole
cat. no.: 1323



Horizontal holder
cat. no.: 1306



Vertical holder
cat. no.: 1307



Inserted holder
cat. no.: 1313



GIRDER holder
cat. no.: 1310



LARSEN holder
cat. no.: 1311



250 adapter
cat. no.: 1309

500 adapter
cat. no.: 1308



Scaffolding board holder
cat. no.: 1315



Holder mounted
on a wall
cat. no.: 1314



Platform holder
cat. no.: 1316



FIXED console
cat. no.: 1317



MOVEABLE console
cat. no.: 1318



Multi-functional
ceiling-clamp
cat. no.: 1312

ELEVATOR SHAFTS PROTECTION

information



The ZSWT system is used to protect elevator shafts and other technical openings when there is a danger of falling from heights. It is used to secure workers staying close or performing works in an elevator shaft or next to it. The gate protects from falling of people and objects into a shaft or other technical openings, at the same time protecting people on lower levels of a building. The ZSWT system is a gate consisting of four parts and allows to be adjusted to a given width and gives the possibility to open the top part (moveable wing).

advantages



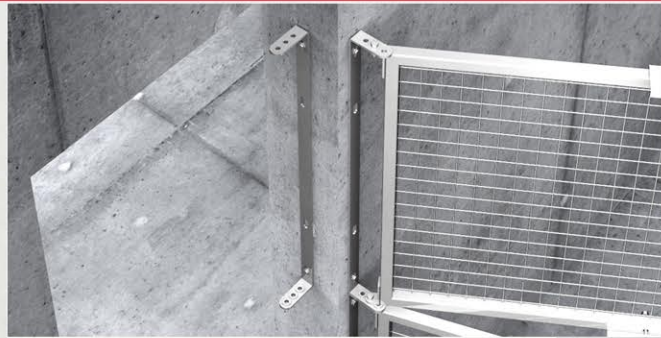
- universal system
- easy fixing system
- regulated wings
- regulated, flexible toe board
- galvanized construction
- easy and intuitive installation
- complies with safety standards
- certified



SIMPLE & SAFE
STRUMIN

32-084 MORAWICA 191
tel.: +48 571 870 100
centrala@strumin.pl





Universal wing clamping which allows to install the system outside and inside the lining.



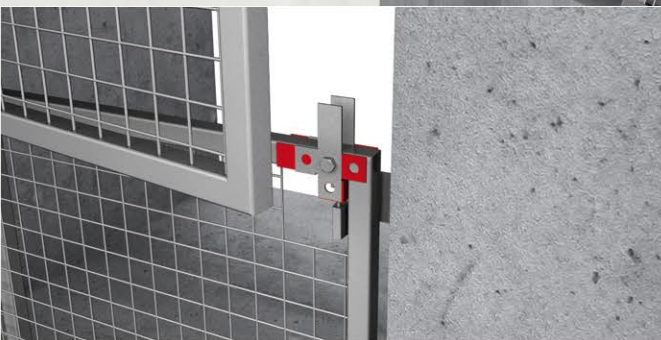
Regulated, flexible, rubber toe board.



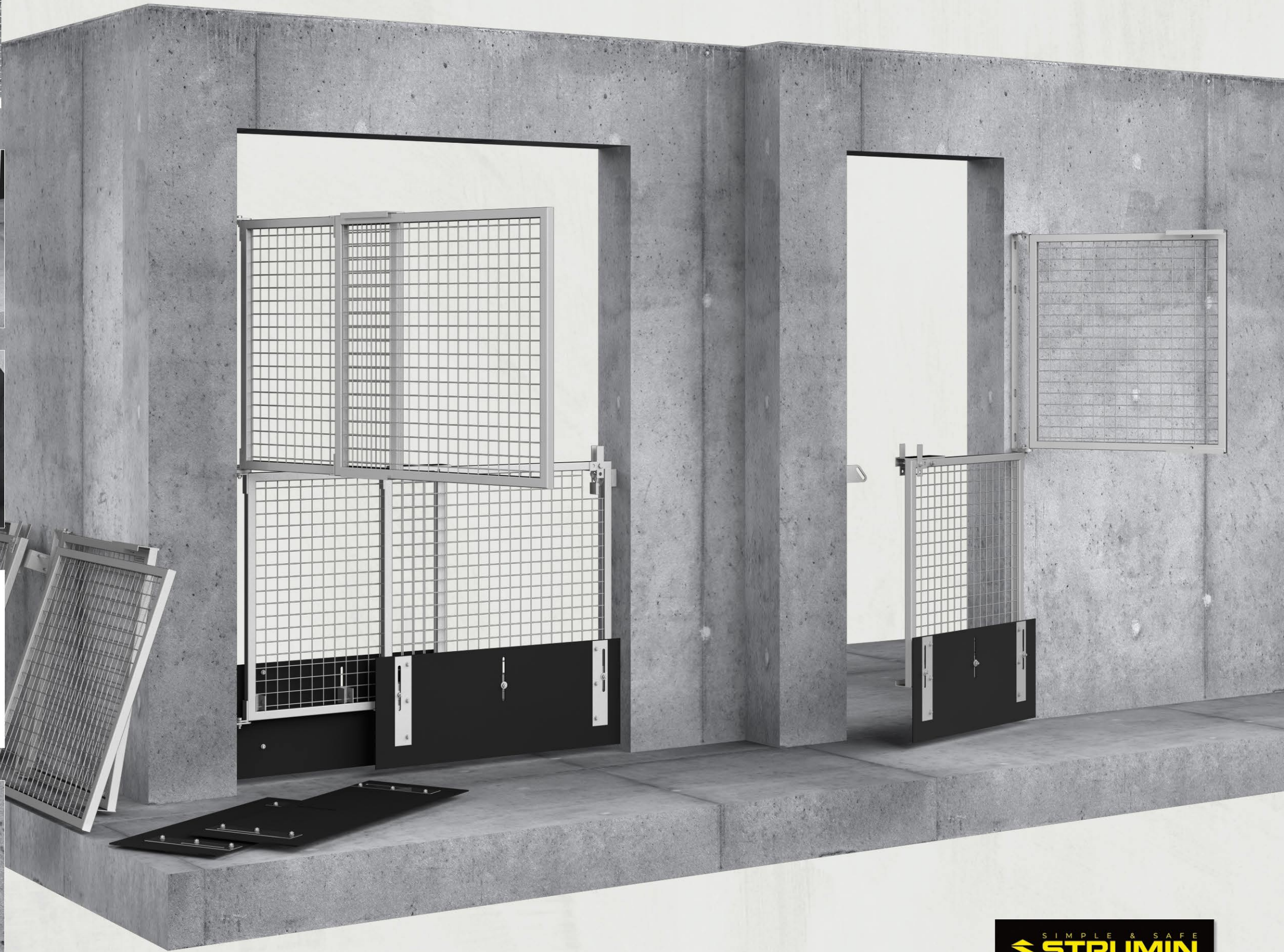
Regulated two-part moveable wings (adjustable horizontally and vertically).



Top and bottom wings with the possibility to be separated.

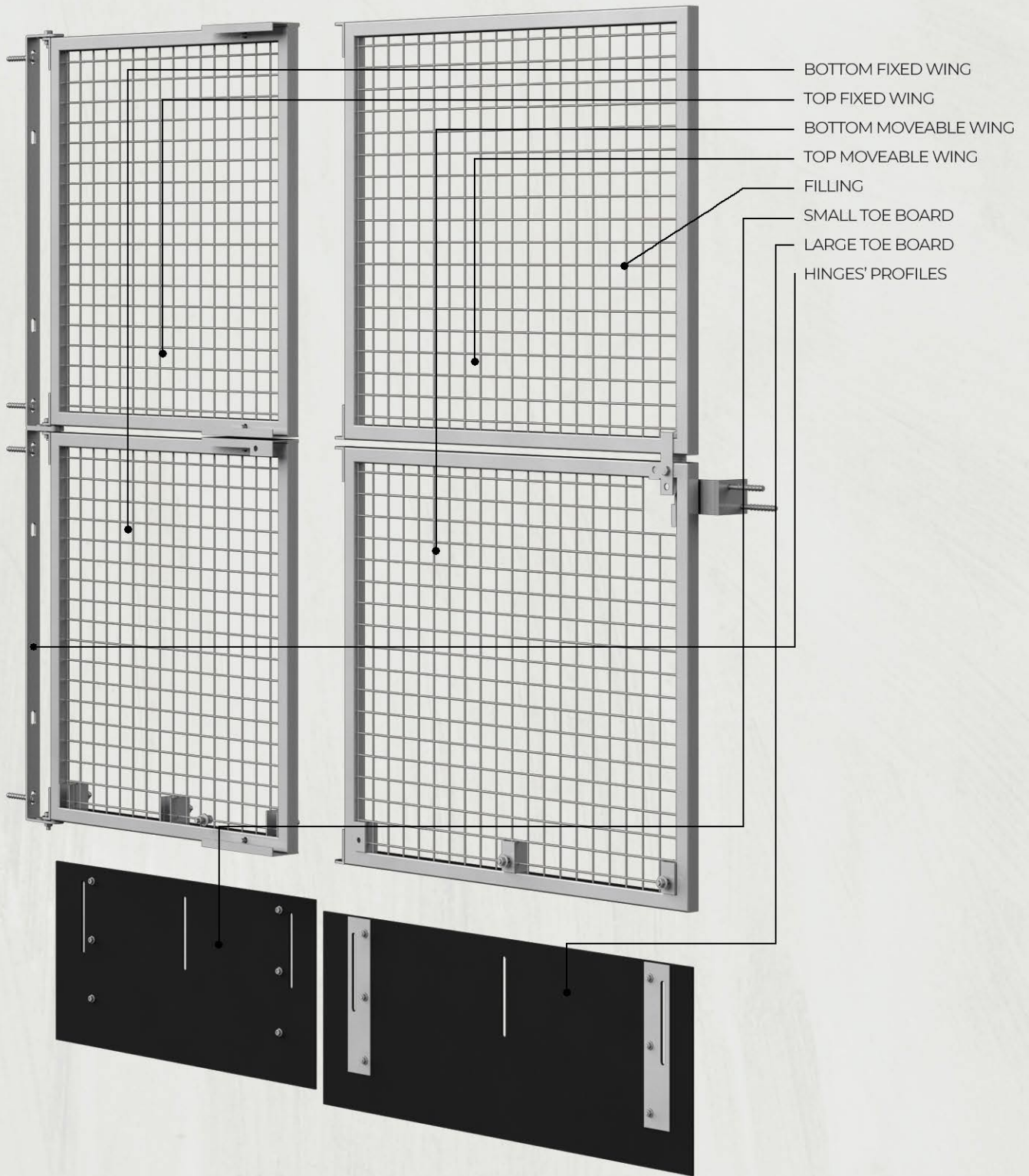


Two-position locking bolt.





ELEVATOR SHAFTS PROTECTION



NAME	PROFILE	SIZE [mm]	SIZE [mm]	WEIGHT[kg]
BOTTOM FIXED WING	RP 30x30x2	875	960	12,0
TOP FIXED WING	RP 30x30x2	875	960	11,1
BOTTOM MOVEABLE WING	RP 30x30x2	1080	960	11,3
TOP MOVEABLE WING	RP 30x30x2	1080	960	10,4
FILLING	Ø3	-	-	4,1
SMALL TOE BOARD	RUBBER 5mm	905	445	4,8
LARGE TOE BOARD	RUBBER 5mm	905	445	6
HINGES' PROFILES (2pcs.)	FLAT 45x6	-	-	5,1
FINISHING	HOT-DIP ZINC	-	-	-
				SUM: 64,8
				CAT. NO.: 1322



PPHU STRUMIN
32-084 MORAWICA 191
tel.: +48 571 870 100
centrala@strumin.pl

STRUMIN
LiteMESH

+48 571 870 100

SAFETY NETS

LiteMESH

information



LiteMESH system is used to protect the outer edges of buildings and is installed on their lower levels. It helps to protect circulation areas. The net catches falling objects and protects people. LiteMESH is a combination of two nets with a wide and small loops. It catches large objects and small elements and even semi-liquid materials, i.e. mortar.

The system is universal and easy to install to the front and the top of a roof, as well as to a wall. Thanks to its small weight and flexibility, the system can be adjusted to any conditions.

LiteMESH net provides fast and cheap protection during construction and other works that require higher safety standards.

advantages



- catches falling objects
- easy and quick installation
- flexibility
- low weight
- protects circulation areas
- economical
- manual installation



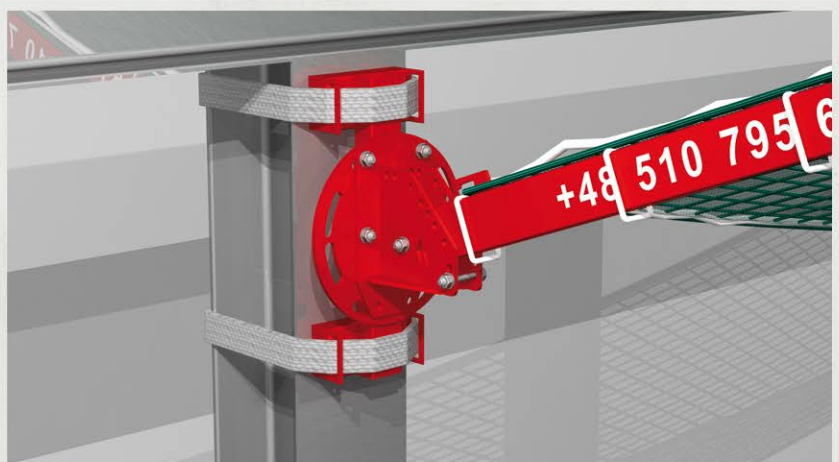
32-084 MORAWICA 191
tel.: +48 571 870 100
centrala@strumin.pl



LiteMESH module in a top attached configuration



LiteMESH module in a front attached configuration



LiteMESH module allows to be attached to vertical poles or horizontal boards (steel, concrete etc.) – console fixing adapter

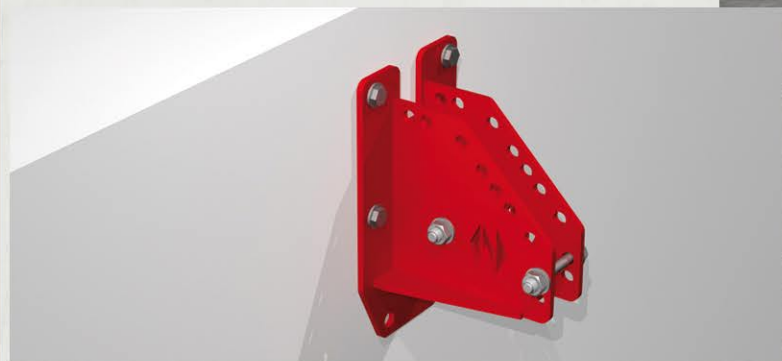


Features

- light construction
- easy and intuitive installation
- simple and flexible system
- universal fixing adapter
- console fixing adapter
- angle adjustment
- possibility to fold the net
- easy storage and transport



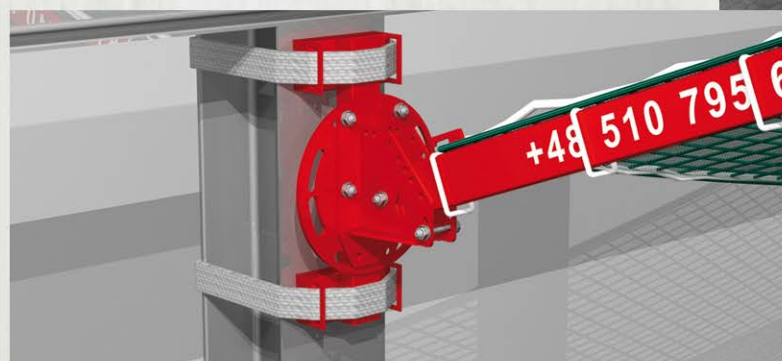
Light modular construction



Adapter allows to fix the net to the front, bottom or top of the ceiling



Tilting arm allows to adjust the net to individual requirements



Possibility to fix the net to vertical and horizontal boards



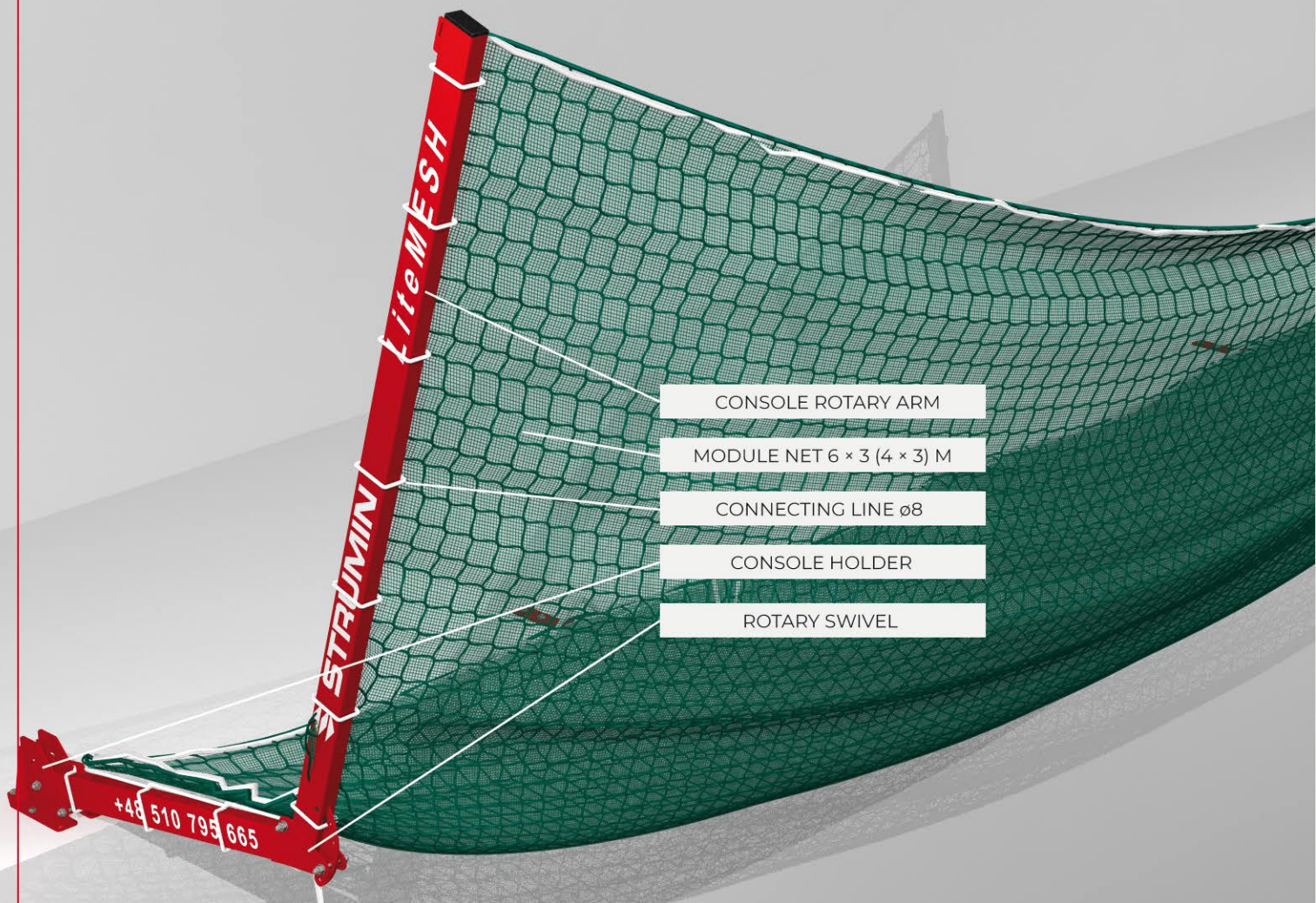
100 x 100 net catches falling objects and tools
"Mosquito" net catches small elements



32-084 MORAWICA 191
tel.: +48 571 870 100
centrala@strumin.pl



NAME	CAT. NO.	L [m]	S [m]	H [m]	Net / edge line	construction	weight [kg]
MODULE LtM 6m	771	3-6	3	-			37
CONSOLE LtM	772	-	3	-			16
STRETCH LtM	773	4,5	-	-	polipropylene ø5 /		1
S NET 6x3m	665	6	3	-	polipropylene ø14 (30 kN)	STEEL LAQUER	5
S NET 4x3m	668	4	3	-			4
CORNER S NET 3x3m	664	3	3	-			3



MODULE LtM (*)

(*) The module consists of one console and one net (the visualisations are not an offer draft)



32-084 MORAWICA 191
tel.: +48 571 870 100
centrala@strumin.pl

SIMPLE & SAFE
STRUMIN

PPHU STRUMIN
32-084 MORAWICA 191
tel.: +48 571 870 100
centrala@strumin.pl

Net type



NETS

type T

information

T-type net systems protect the workplace if there is the danger of a fall from heights. The system is a connection of two nets with wide and small loops. It catches people, large objects and small elements, and even semi-liquid material, i.e. mortar. The construction is a damping system which absorbs energy generated during a fall and minimalizes the overload that is created while trying to stop a falling object/person.

advantages

- catches falling people and objects
- absorbs a fall from up to 7 m
- protects circulations areas
- compliance with EN-1263-1_2015-02E standard
- universal installation
- durable construction
- manual installation



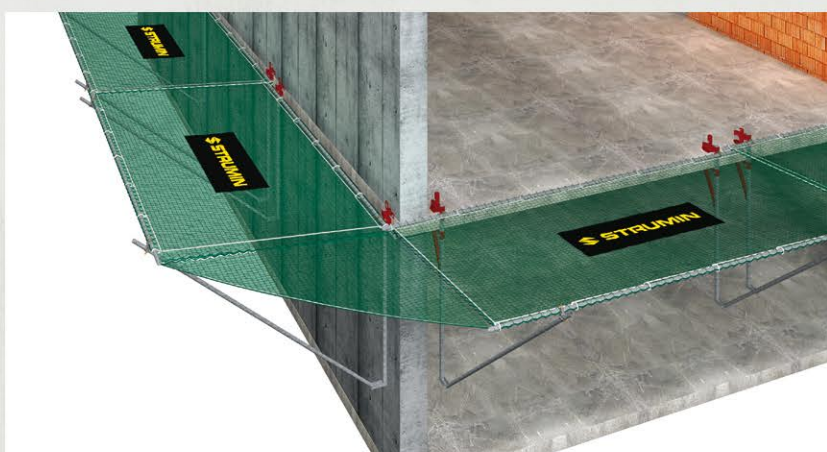
32-084 MORAWICA 191
tel.: +48 571 870 100
centrala@strumin.pl



Type T net ceiling module.



Type T net wall module



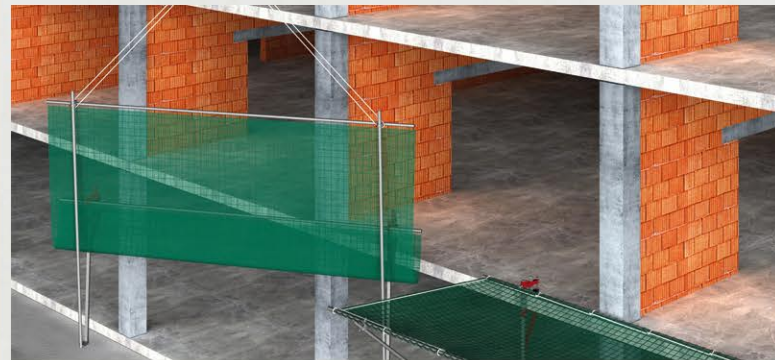
Type S corner net



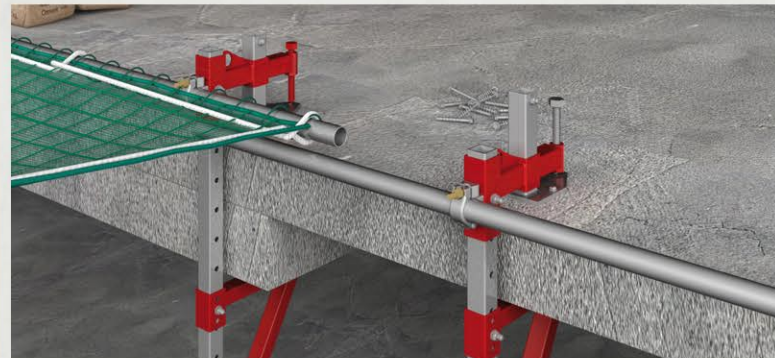
Technical specification



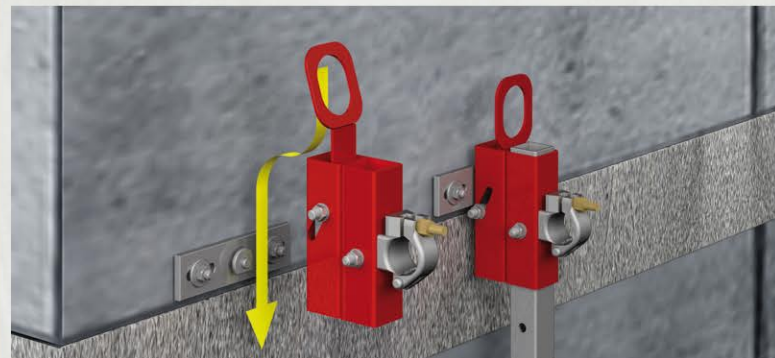
features



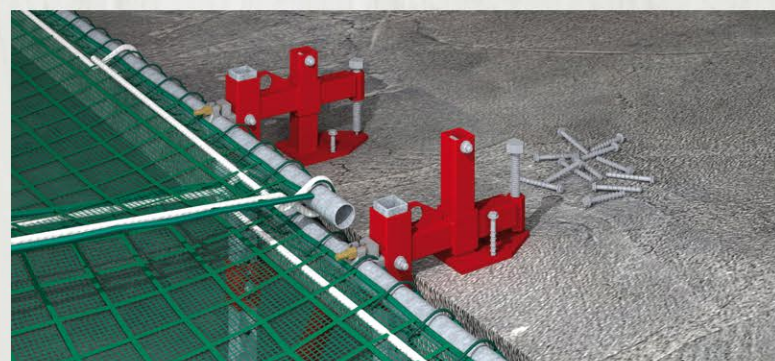
A modular system installed from the top.



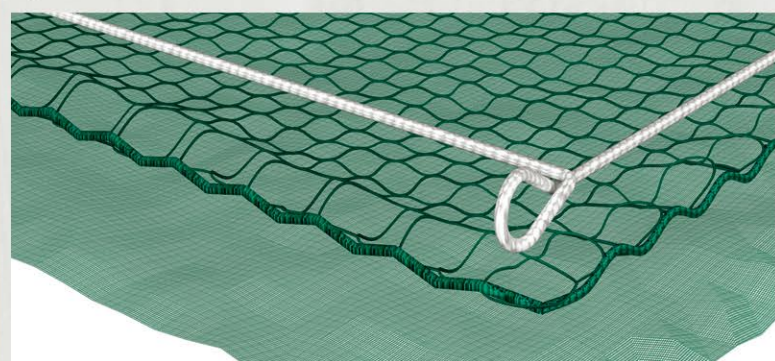
A regulated jaw holder.



An adapter mounted to a wall.



Quick installation with screws inserted in concrete.



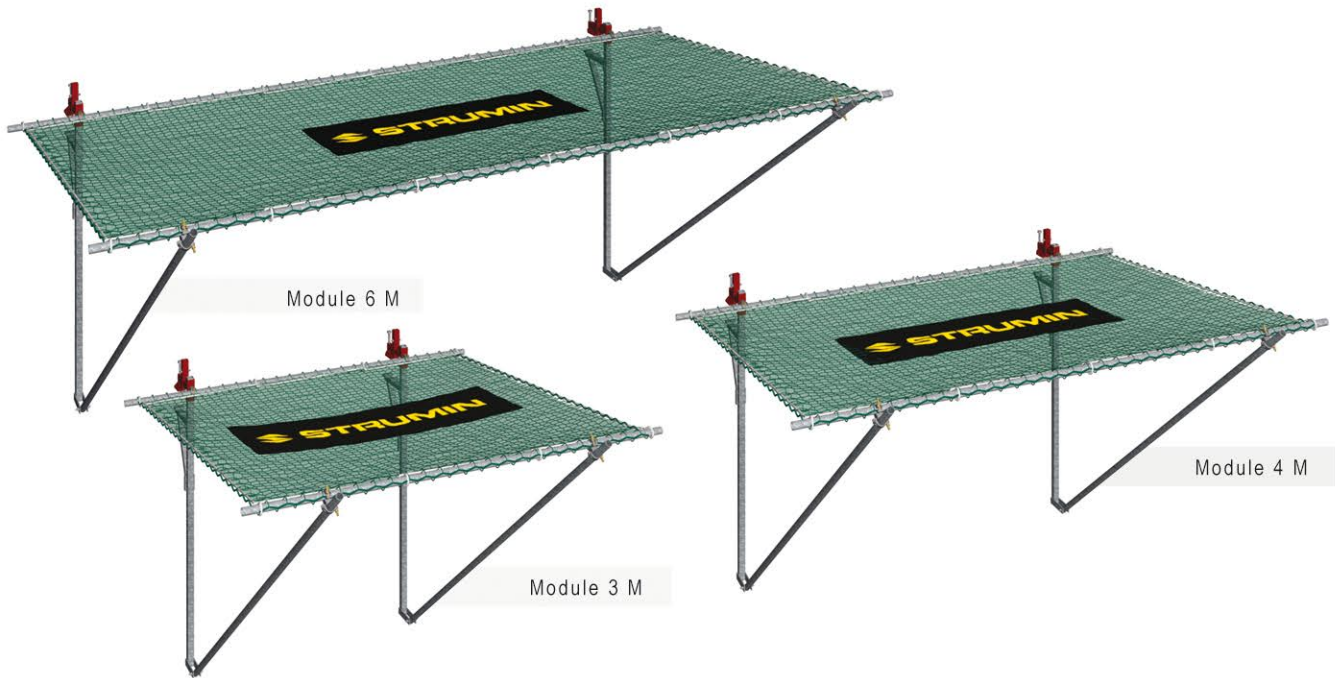
A 60 x 60 net catches falling objects and tools.
A "Mosquito" net catches small elements.

- simple, modular construction
- regulated ceiling holder – adjustment of the jaws spacing from 20 cm do 110 cm
- self-locking wall holder
- fast and durable installation
- a net catching people and objects
- a "mosquito" net catching small elements
- easy to store and transport
- line elements

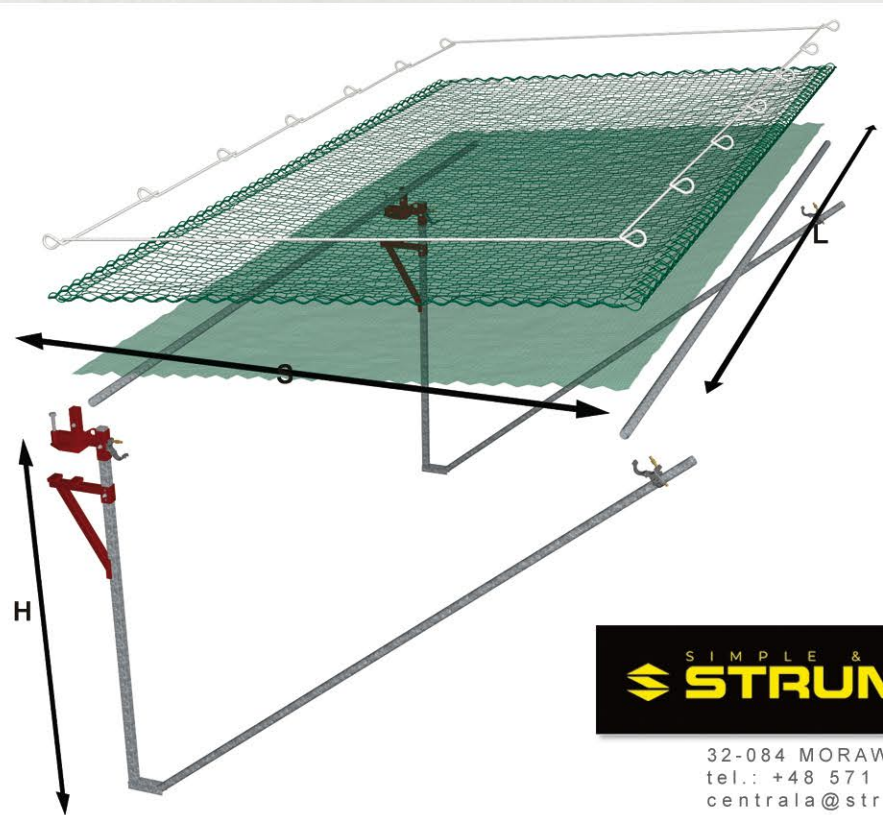




Technical specification of the T type net



NAME	CAT. NO.	L [m]	S [m]	H [m]	Net / edge line	construction	Weight [kg]
MODULE 6m	661	6	3	2,4			120
MODULE 4m	662	4	3	2,4			106
WALL MODULE 6m	671	6	3	2,4			103
WALL MODULE 4m	672	4	3	2,4	POLIPROYLENE Ø5 / POLIPROP. Ø14 (30kN)	STEEL ZINC	89
S NET 6x3m	665	6	3	-			5
S NET 4x3m	668	4	3	-			4
CORNER NET 3x3m	664	3	3	-			3



32-084 MORAWICA 191
tel.: +48 571 870 100
centrala@strumin.pl

SIMPLE & SAFE
STRUMIN



PPHU STRUMIN
32-084 MORAWICA 191
Biuro: +48 510 795 665
biuro@strumin.pl

STRUMIN
skini tybT



STAIRWAYS

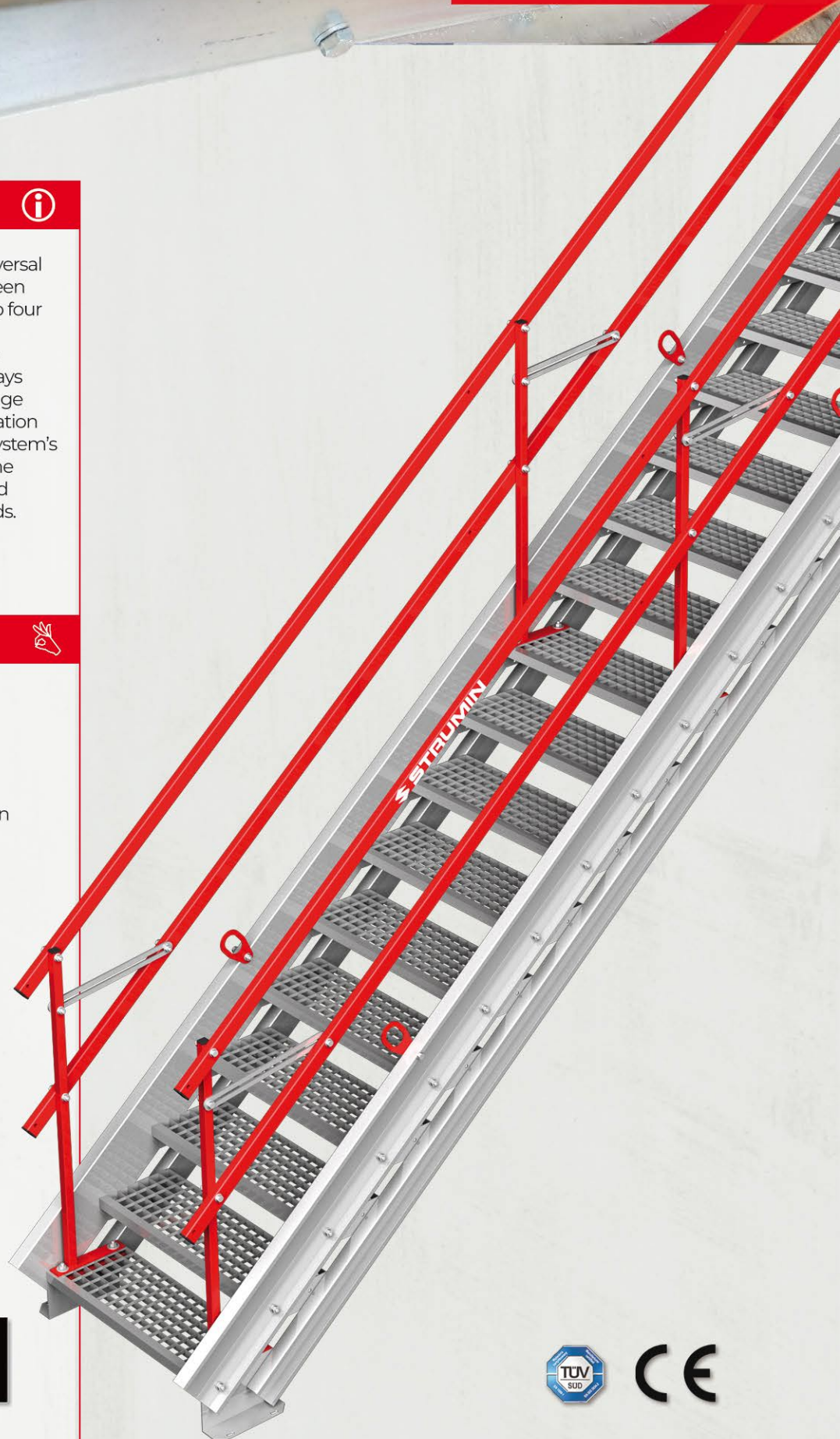
MODULO N

Information

Construction site stairways are universal devices providing safe move between floors at construction sites. Thanks to four available sizes and smooth angle regulation, they provide the access to any working level. Folded stairways may be used as a bridge with a range of 5.7 m. Thanks to the implementation of high, cold-formed profiles, the system's project provide high durability of the construction and does not demand any additional support or toe boards.

Advantages

- universal system
- different available lengths
- a stairway and a bridge in one
- anti-slip
- galvanized construction
- simple and intuitive installation
- compliance with applicable safety norms
- certified

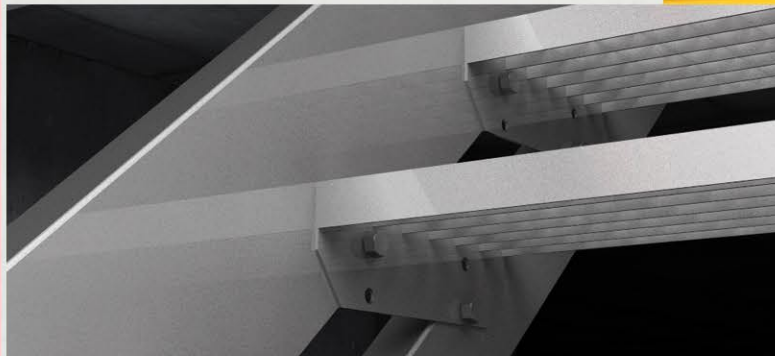


32-084 MORAWICA 191
tel.: +48 571 870 100
centrala@strumin.pl



- modular system
- available in 3, 6, 9, 12, 15, 18 and 21 steps modules
- a stairway and a bridge in one
- integrated railing
- anti-slip steps
- galvanized construction
- easy and intuitive installation
- quick and durable assembly with reusable screws inserted in concrete
- ease of storing and transporting

Automatically positioned side foot and upper part of the stairways



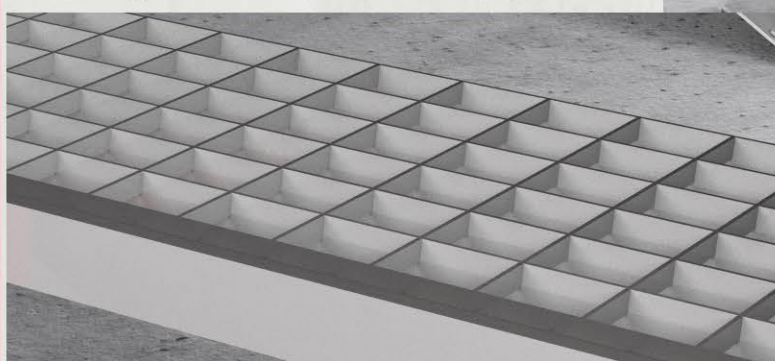
Supporting beam serves as a toe board



Railing joined to the steps, angle adjustment



Supporting beams and steps made of hot dip galvanized steel

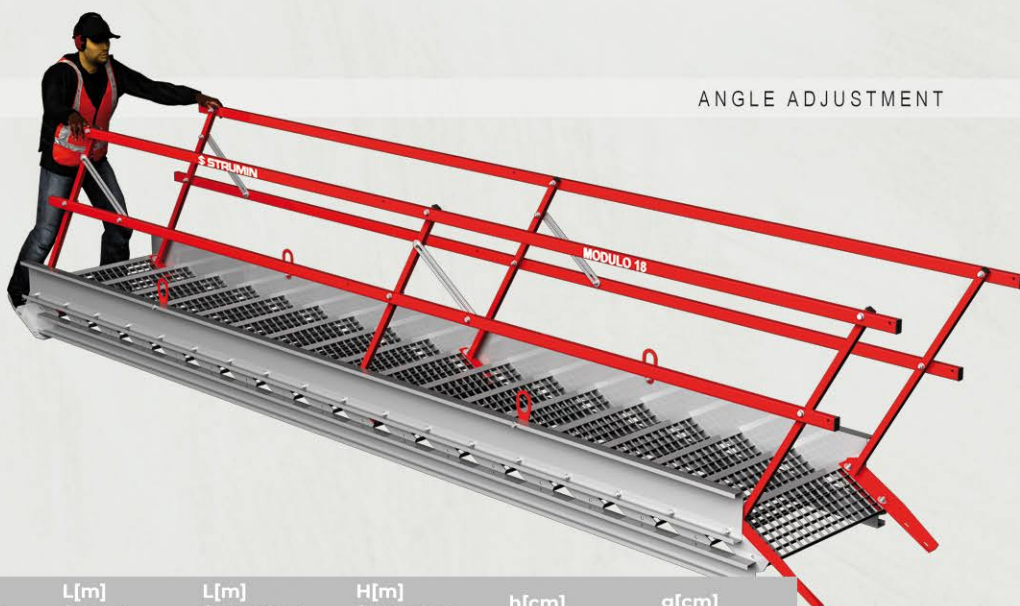


Anti-slip steps

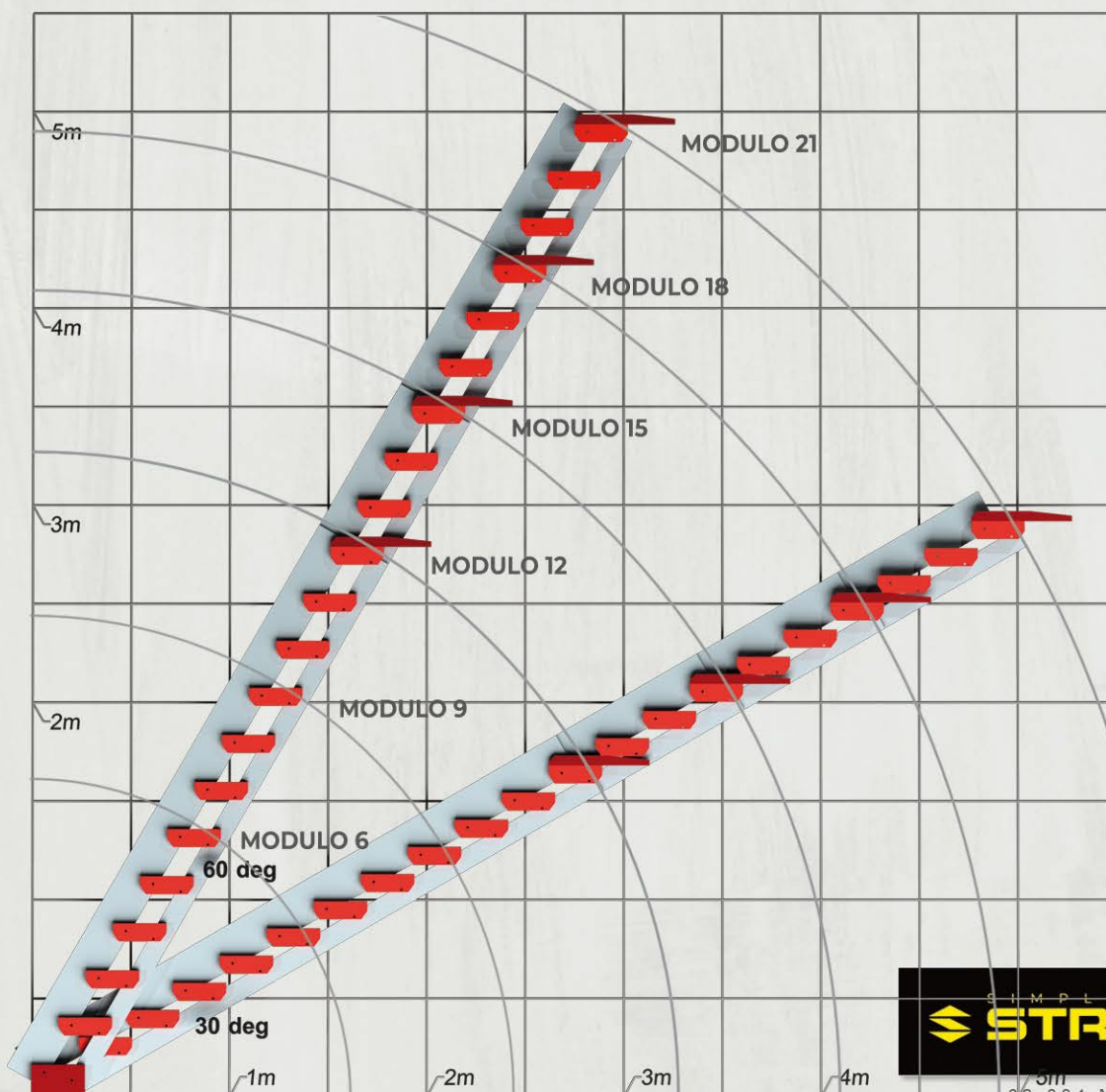




ANGLE ADJUSTMENT



NAME	CAT. NO.	L[m] for $\alpha=0$	L[m] for $\alpha=30/60$	H[m] for $\alpha=30/60$	h[cm]	g[cm]
MODULO 6	1101	1,7	1,5 / 1,0	1,0 / 1,4	13,7 / 23,8	23,8 / 13,7
MODULO 9	1102	2,5	2,2 / 1,4	1,3 / 2,1	13,7 / 23,8	23,8 / 13,7
MODULO 12	1103	3,3	2,9 / 1,8	1,7 / 2,8	13,7 / 23,8	23,8 / 13,7
MODULO 15	1104	4,1	3,6 / 2,2	2,1 / 3,5	13,7 / 23,8	23,8 / 13,7
MODULO 18	1105	4,9	4,3 / 2,6	2,5 / 4,2	13,7 / 23,8	23,8 / 13,7
MODULO 21	1106	5,8	5 / 3	2,9 / 4,9	13,7 / 23,8	23,8 / 13,7



32-084 MORAWICA 191
tel.: +48 571 870 100
centrala@strumin.pl

DUMP SKIP CONTAINER

information



A skip container is used to transport different types of materials, i.e. hardcore, waste, equipment, tools or mortar. The container allows to safely unload construction waste by a crane or a loader operator. The solution increases the level of safety at a construction site and lowers the risk of accidents. Together with a dump platform, the container allows to be transported with a pallet truck to any place at a construction site.

advantages



- construction which allows to dump materials
- safe
- high capacity
- mobility
- easy to transport
- certified



32-084 MORAWICA 191
tel.: +48 571 870 100
centrala@strumin.pl



A skip / dump container helps to transport materials during construction processes.



Using both a skip and a platform. The system helps to unload and transload materials.



Transport and unloading of hardcore and waste.



Skip / Dump container



NAME	CAT. NO.	L [mm]	S [mm]	H [mm]	material	weight [kg]
SMALL SKIP CONTAINER 0,8m ³	1000	1500	1050	800	steel lacquer	115
LARGE SKIP CONTAINER 1,4m ³	1001	1550	1200	1100	steel lacquer	135



32-084 MORAWICA 191
 tel.: +48 571 870 100
 centrala@strumin.pl

CANOPIES

information



Canopies are used to increase the level of safety and the comfort of working. They help to organize points where workers gather tools, PPE and collective protective equipment. Canopies may be used to create working areas that provide safety of people, machines and devices and protect them from different weather conditions, such as rain, snow and insolation. The can also be used as a place where different elements, such as a switchgear, a first aid kit, firefighting equipment, information boards, benchtops and other objects are gathered.



A stackable construction allows to easily store canopies.



Simple, intuitive installation and deinstallation in just a few steps.



Adjustable legs and a wall with accessories.



32-084 MORAWICA 191
tel.: +48 571 870 100
centrala@strumin.pl



Features

- increases safety
- rises the comfort of work
- easy and quick installation
- visible
- modular construction
- easy to store and transport
- compliance with EN ISO 12100:2012
- different applications



Transport holders for a crane's sling.



A transport locker of the legs.



A board with accessories.



Optimal storing and transport.



Easy, intuitive installation.



32-084 MORAWICA 191
tel.: +48 571 870 100
centrala@strumin.pl

CANOPIES

i Canopies increase the level of safety and comfort at a working area. It is an optimal solution for organizing workspace at a construction site. Thanks to a modular construction, it is possible to create a complete product equipped with a switchgear, a first aid kit, firefighting equipment, information boards, benchtops etc. Canopies belong the "machines and devices" group and this is how they are classified from the formal point of view.



- protects the user from unfavourable weather conditions
- increases the safety and comfort of work
- provides access to basic OSH equipment
- an easy and intuitive installation
- a simple and flexible system
- a modular construction
- easy to store and transport
- certified in accordance with the 2006/42/EC directive
- standardized norms: EN ISO 12100:2012



NAME	CAT. NO.	L [m]	S [m]	H [m]	construction	weight[kg]
CANOPY	1400	3,10	2,25	2,40	Steel, lacquer / galvanized	155
CANOPY (folded)	1400	3,10	0,41	2,40	Steel, lacquer / galvanized	155



32-084 MORAWICA 191
tel.: +48 571 870 100
centrala@strumin.pl

SIMPLE & SAFE
STRUMIN



PPHU STRUMIN
32-084 MORAWICA 191
tel. +48 571 870 100
centrala@strumin.pl



STRUMIN
SOLID BOX

SOLID BOX

information



SOLID BOX is used to safely store and transport tools. Its design connects functionality, mobility and ease of transport with a crane, a pallet truck or a forklift truck. Anti-theft construction of the box is supported by a range of safeguarding measures. Thanks to its versatility, it can be used both at small and big construction sites.



The SOLID BOX is made of powder-coated steel. It is available in three sizes and two colour versions.

advantages



- safety of tools
- ease of transport
- mobility
- big capacity
- anti-theft
- waterproof
- certified



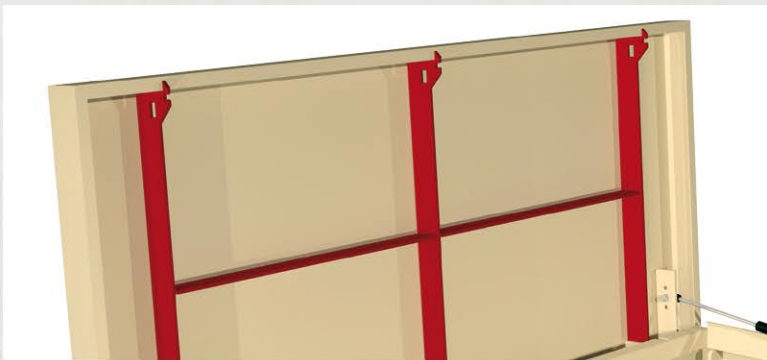
A lid is equipped with a pneumatic shock absorber which provides smooth opening and closing and protects its user's fingers from being caught.



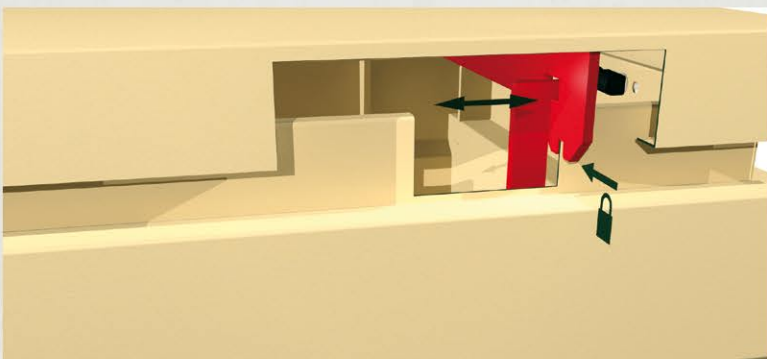
The box offers different options and functions, e.g. can be mounted to the surface with anchors.

STRUMIN
SIMPLE & SAFE

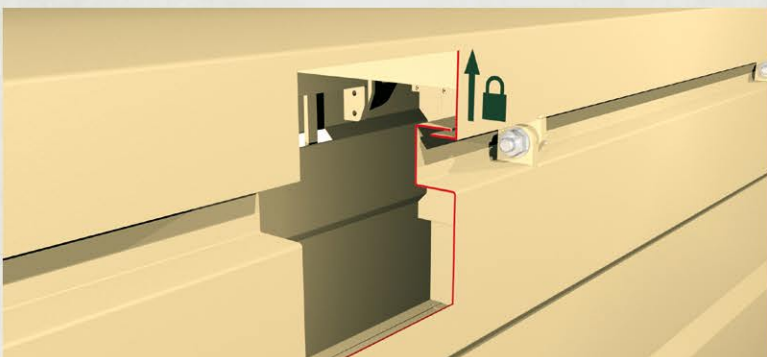
32-084 MORAWICA 191
tel.: +48 571 870 100
centrala@strumin.pl



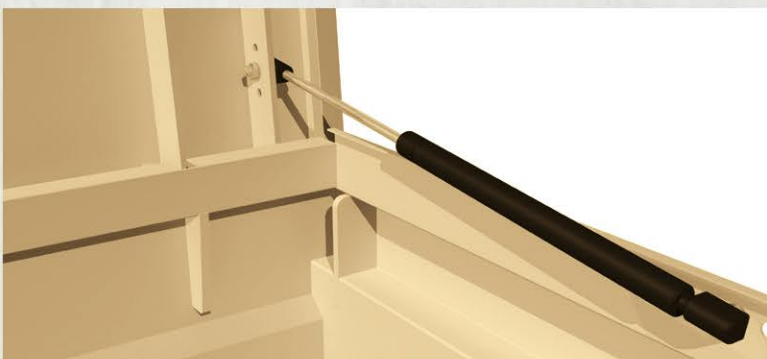
A Ribbed lid.



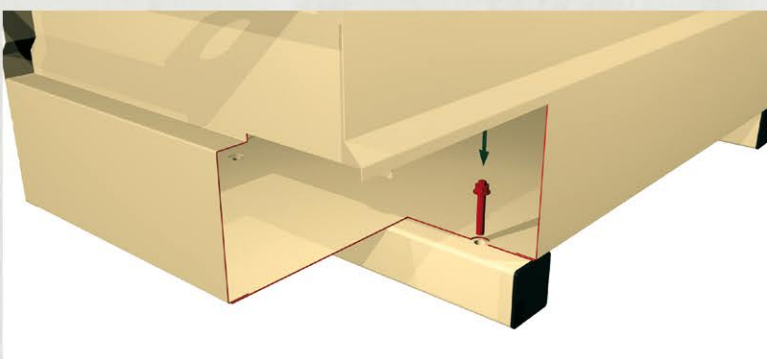
Three points closing the lid.



A collar locking the lid (in case of damaging hinges).

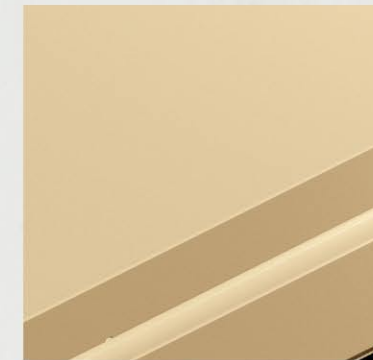


The Pneumatic shock absorber of the lid.



Holes that allow to attach to the surface.
The possibility to attach wheels.

- a multi-point locking system and lid catching
- a lid equipped with a shock absorber
- suitable for transporting with a pallet truck or a crane
- waterproof
- three available sizes
- available colours: sand, army green
- possibility to attach wheels
- produced in a certified production facility
- strengthened construction
- continuous welds
- hidden lock



sand



army green





Technical specification of SOLID BOX



LARGE BOX



MEDIUM BOX



SMALL BOX

NAME	CAT. NO.	L [cm]	S [cm]	H [cm]	COLOR	WEIGHT [kg]
LARGE BOX	551	200	75	82	SAND	110
MEDIUM BOX	552	150	65	68	↓	70
SMALL BOX	553	100	50	55	↓	45
LARGE BOX	554	200	75	82	ARMY GREEN	110
MEDIUM BOX	555	150	65	68	↓	70
SMALL BOX	556	100	50	55	↓	45



32-084 MORAWICA 191
tel.: +48 571 870 100
centrala@strumin.pl

TRANSPORT BASKETS

information



Transport baskets are used in building, production processes, storing of ready elements and semi-finished products. Their advantage is the possibility to be stored vertically – stacked – what allows to save space and keep the work area clean.

SIMPLE & SAFE
STRUMIN

32-064 MORAWICA 101
tel.: +48 571 870 100
centrala@strumin.pl

TRANSPORT BASKETS



information

Transport baskets are available in different versions:

- open, used for transporting larger elements (i.e. steel or wooden profiles, construction props);
- with a mesh, used for storing small, loose elements.

NAME	CAT. NO.	L [m]	S [m]	H [m]	construction	weight [kg]
OPENWORK TRANSPORT BASKET	1200	1,2	0,8	0,8	STEEL ZINC	32
TRANSPORT BASKET "MESH"	1201	1,2	0,8	0,8	STEEL ZINC	27
TRANSPORT BASKET "SHEET"	1202	1,2	0,8	0,8	STEEL ZINC	81
LIFT WICKET BASKET	1203	1,25	1,05	1,18	STEEL ZINC	59

SIMPLE & SAFE
STRUMIN

32-084 MORAWICA 191
tel.: +48 571 870 100
centrala@strumin.pl



STRUMMIN